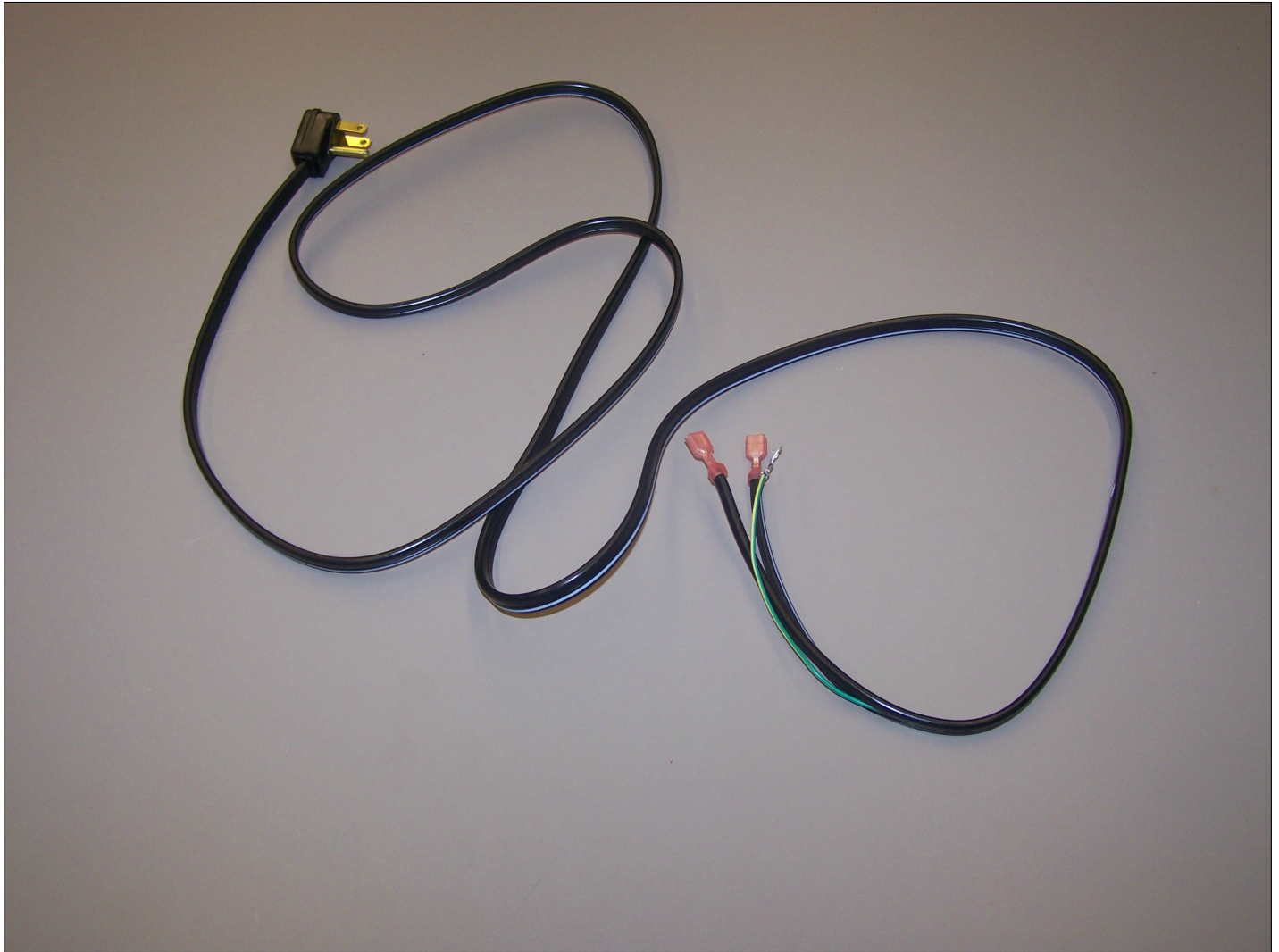


VISB483JMAGRSERIES

10916507 POWER CORD	1
CONTROL AREA	2
CONVERTIBLE MEAT SAVER	3
DELI DRAWER	4
EVAPORATOR AREA	5
FREEZER COMPARTMENT	6
FREEZER DOOR FOAM AREA	7
FREEZER DOOR SKIN AREA	8
FREEZER SHELVING	9
ICE MAKER AREA	10
LOWER UNIT AREA	11
MC COVER AND GRILLE AREA	12
PE070785 HIGH VOLT HARNESS	13
PE970464 LOW VOLT HARNESS	14
PE970595 MACHINE HARNESS	15
PE970609 CONTROL BOARD HARNESS	16
PRODUCE DRAWER	17
REFRIGERANT SYSTEM	18
REFRIGERATOR COMPARTMENT	19
REFRIGERATOR DOOR FOAM AREA	20
REFRIGERATOR DOOR SKIN AREA	21
REFRIGERATOR SHELVING	22
UNIT EXTERIOR	23
UPPER UNIT AREA	24
WATER SYSTEM	25
WIRING DIAGRAM	26
Appendix A:Pages Index	A
Appendix B:Parts Index	B



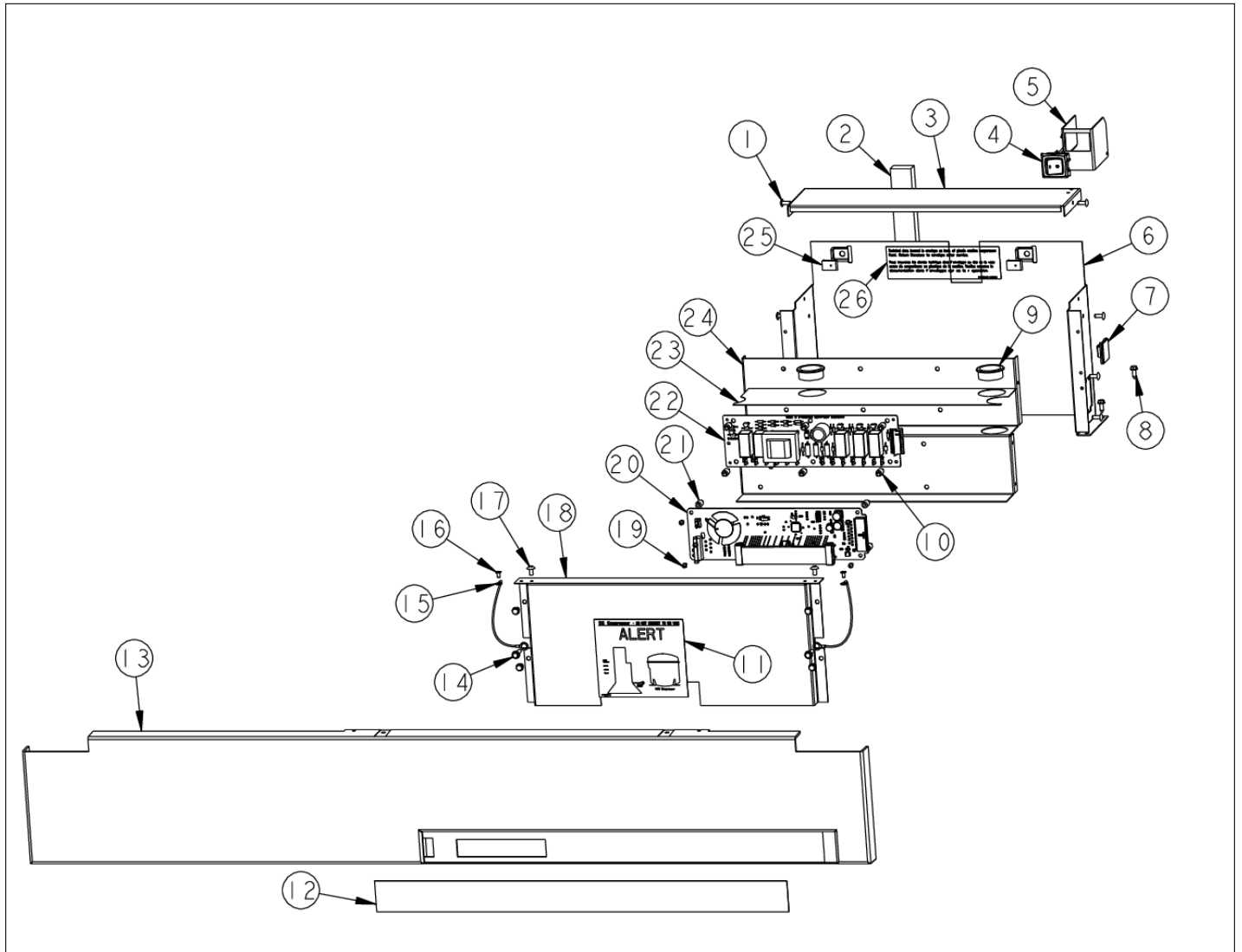
10916507 POWER CORD





Item	Part No.	Name	Qty	Uom	NOTES
1	10916507	CORD-POWER 5 SERIES	1	EA	

CONTROL AREA





Item	Part No.	Name	Qty	Uom	NOTES
1	PC040010	POP RIVET (.063/GR -.125) GAMD42-A	1	EA	
2	A3030361	GASKET RED	1	EA	
3	K20915000	CONTROL BOX TOP	1	EA	
4	PE950149	SWITCH POWER	1	EA	
5	K2098654	Bracket, Power Switch	1	EA	
6	K2099402	CONTROL BOX	1	EA	
7	M0104106	CLIP-CORD VM0104106	1	EA	
8	PD020194	SCR, HEX SRTD WSHR HD, #8- 18 X 1/2	1	EA	
9	A4554817	BUSHING-SNAP VA4554817	1	EA	
10	M0585504	SUPPORT	1	EA	
11	PF930672	LABEL DC COMPRESSOR	1	EA	
12	PE950172	OVERLAY SWITCH SXS 48 NON - DISP	1	EA	
13	016593-000	PANEL CONTROL SXS 48	1	EA	
14	M0238846	SCREW-SHLDR	1	EA	
15	12064001	SUPP-CONT PANEL	1	EA	
16	PC040010	POP RIVET (.063/GR -.125) GAMD42-A	1	EA	
17	M0224128	SCREW-SM	1	EA	
18	K20910061	CONTROL BOX FRONT	1	EA	
19	PD020013	TYPE "AB" #6 X 3/8 PH PAN HD. SMS	1	EA	
20	PE070728	BOARD LOW VOLTAGE	1	EA	

Comments for Part Num. PE070728

bradleysapplianceservice@shaw.ca on Apr 27, 2016

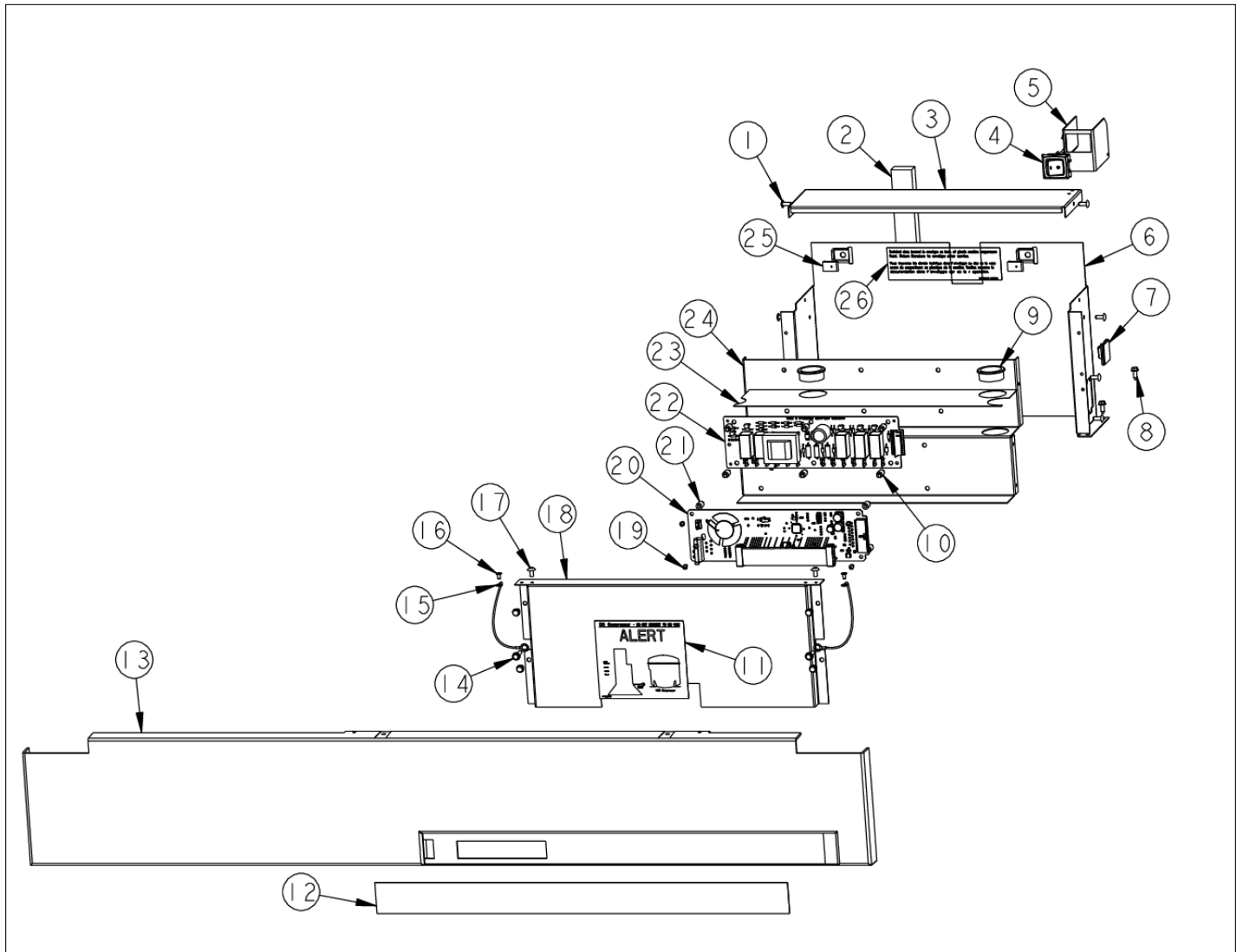
COULD ALSO USE: 002670-000 LOW VOLTAGE BOARD KIT ANALOG - INCLUDES WIRE HARNESS

21	M0585506	SUPPORT	1	EA	
22	005319-000	POWER CONTROL BOARD ASM 5 SERIES	1	EA	

Comments for Part Num. 005319-000

boltz on Apr 12, 2018

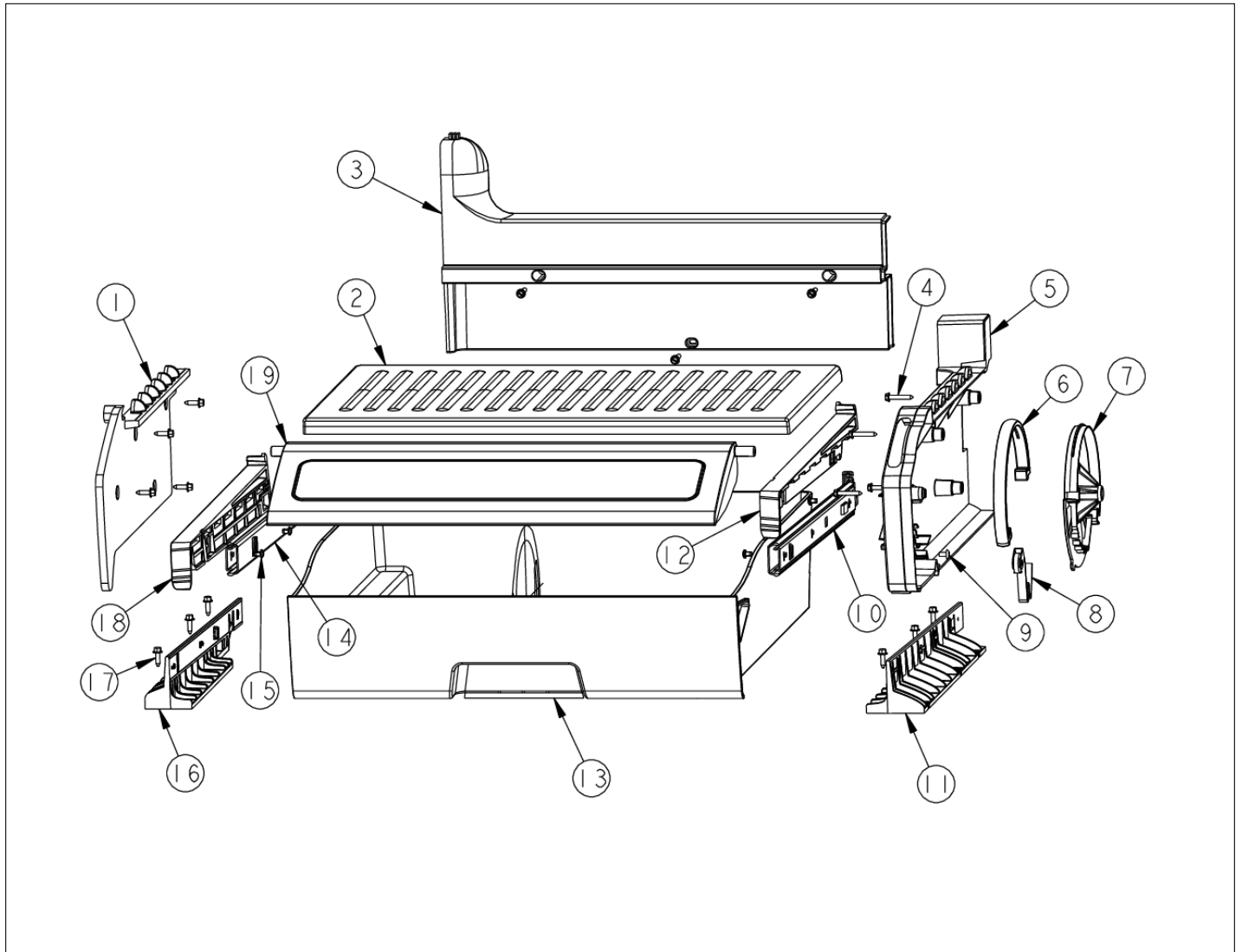
See TR-0056-SP Bulletin





Item	Part No.	Name	Qty	Uom	NOTES
23	PM910325	FILM, PROTECTIVE	1	EA	
24	K20910060	BRACKET - PC	1	EA	
25	M0288120	NUT-SPEED VM0288120	1	EA	
26	PF930487	TECH LITERATURE LABEL - 2	1	EA	

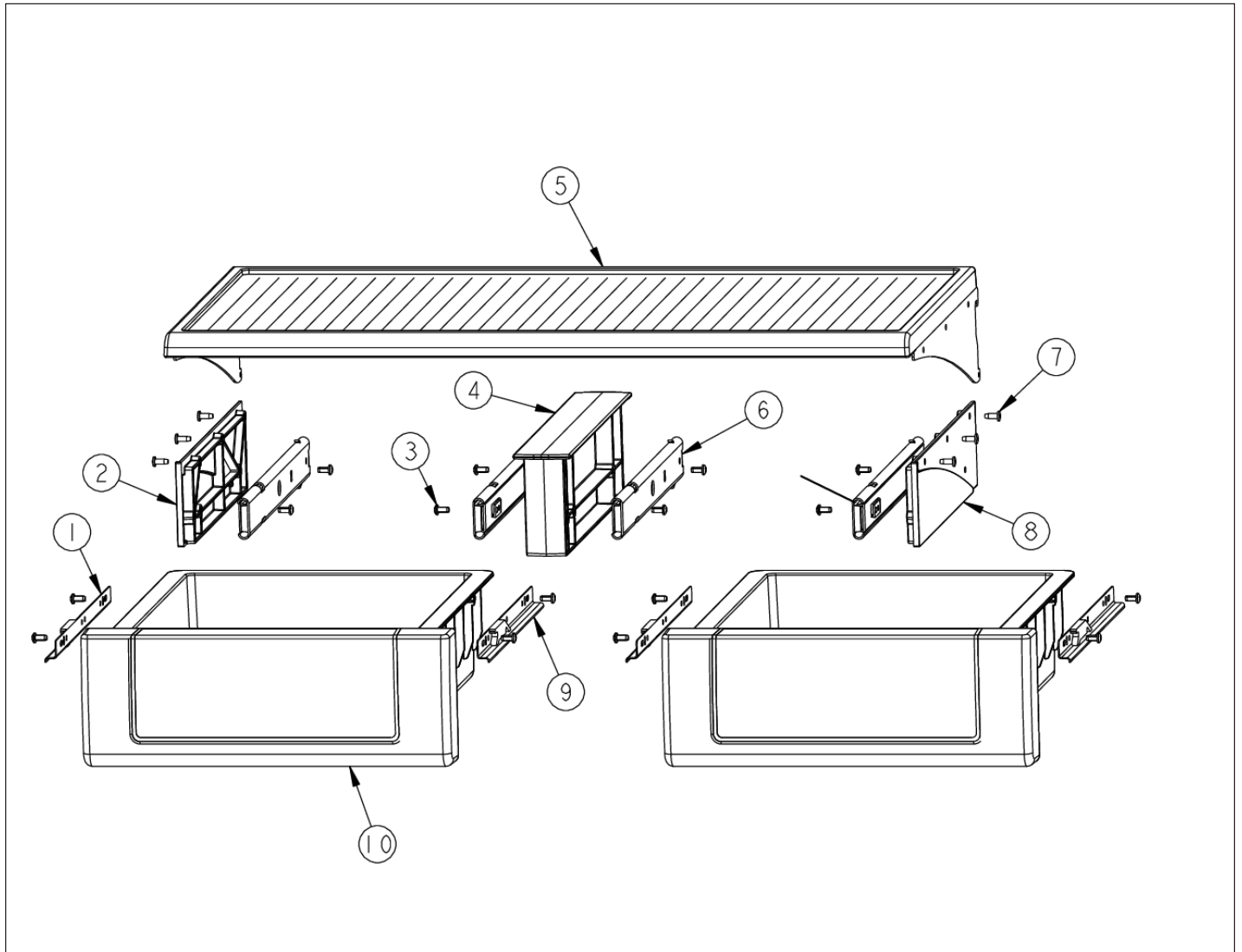
CONVERTIBLE MEAT SAVER





Item	Part No.	Name	Qty	Uom	NOTES
1	PK030435	DUCT MEATSAVOR SXS 48 LEFT	1	EA	
2	PK930308	SHELF MEAT SAVOR AR 30 SXS 48	1	EA	
3	PK930327	DUCT MEATSAVOR SXS 48 REAR	1	EA	
4	M0211021	SCREW-SM	1	EA	
5	044232-000	DUCT MEAT SAVOR (R)	1	EA	
6	PK930172	COVER CONTROL MEAT SAVOR	1	EA	
7	044384-000	DIAL CONTROL MEAT SAVOR	1	EA	
8	PM910334	ROLLER TENSION	1	EA	
9	M0224128	SCREW-SM	1	EA	
10	PM910287	SLIDE MEAT SAVOR R	1	EA	
11	PK930173	SUPPORT SLIDE MEAT SAVOR SXS 42/48 R	1	EA	
12	PK930175	SUPPORT DRAWER MEAT SAVOR SXS 42/48 R	1	EA	
13	PK930309	DRAWER MEAT SAVOR AR 30 SXS 48	1	EA	
14	PM910288	SLIDE MEAT SAVOR L	1	EA	
<p>Comments for Part Num. PM910288</p> <p>profixappliances@gmail.com on May 3, 2017</p> <p>ITEM # 5 SHOULD BE PK930288-DOOR MEATSAVOR ASM AR/BM 36</p>					
15	PD920162	SCR 8-16 PLASTITE PNP 1/4 S	1	EA	
16	PK930174	SUPPORT SLIDE MEAT SAVOR SXS 42/48 L	1	EA	
17	PD020195	SCR 8-18 X 5/8	1	EA	
18	PK930176	SUPPORT DRAWER MEAT SAVOR 42/48 L	1	EA	
19	045692-000	DOOR MEATSAVOR ASM AR 30 SXS 48	1	EA	

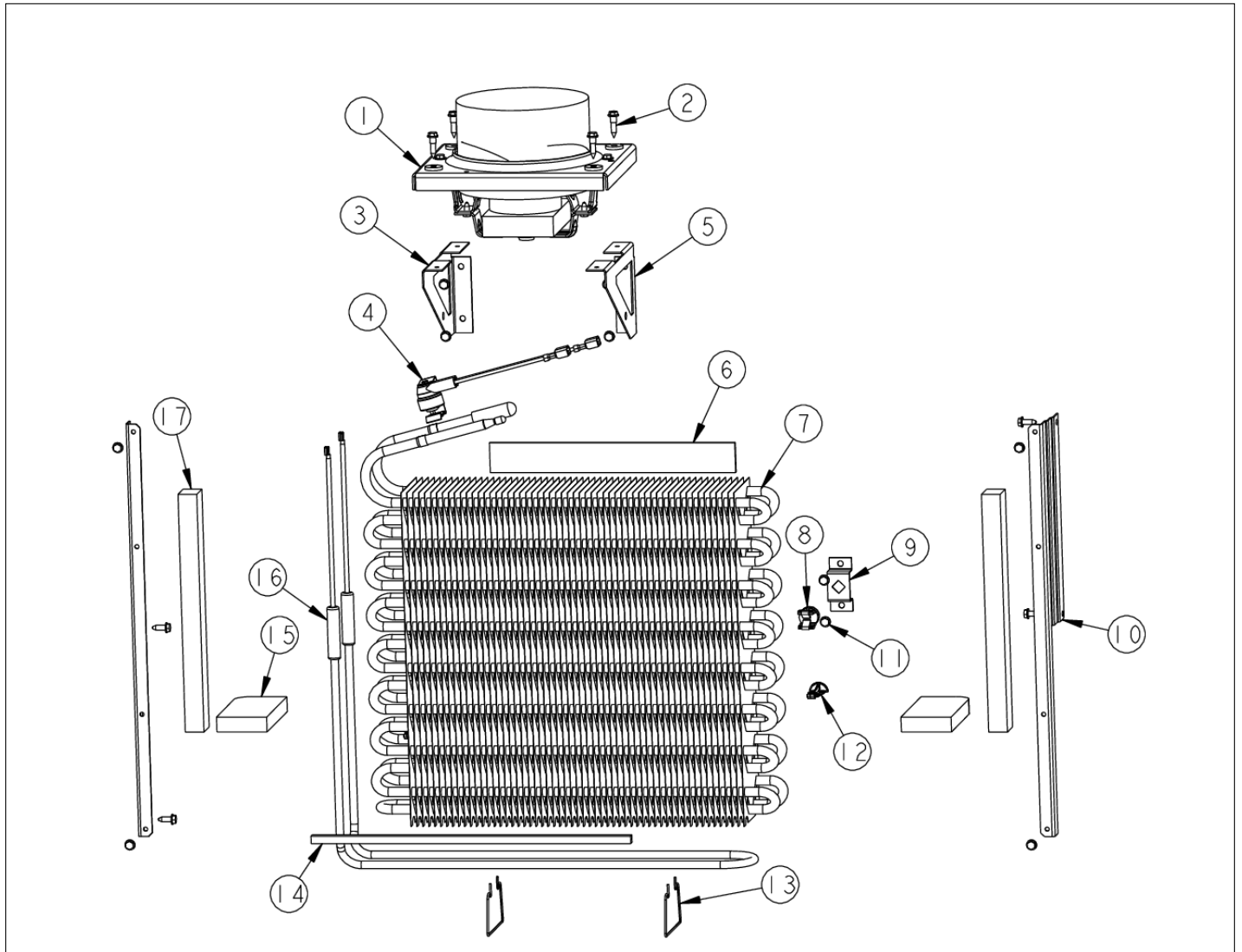
DELI DRAWER





Item	Part No.	Name	Qty	Uom	NOTES
1	PM910342	RAIL DRAWER L	1	EA	
2	044219-000	SUPPORT SLIDER L	1	EA	
3	PD920161	SCR 8-16 PLASTITE PNP 3/8 S	1	EA	
4	PK030439	GLIDE CENTER SUPPORT	1	EA	
5	043624-000	SHELF ASM GLASS 30 AR 48 FF	1	EA	
6	046255-000	SLIDE, DWR, SOFT CLOSE, LH	2	EA	
7	PD020032	SRW-8(A)X3/8"PH.WFR HD 7/16DIA*NICL	1	EA	
8	044214-000	SUPPORT SLIDER R	1	EA	
9	PM910343	RAIL DRAWER R	1	EA	
10	PK930305	DRAWER DELI AR 30 SXS 48	2	EA	
11	046235-000	SLIDE, DWR, SOFT CLOSE-RH	2	EA	

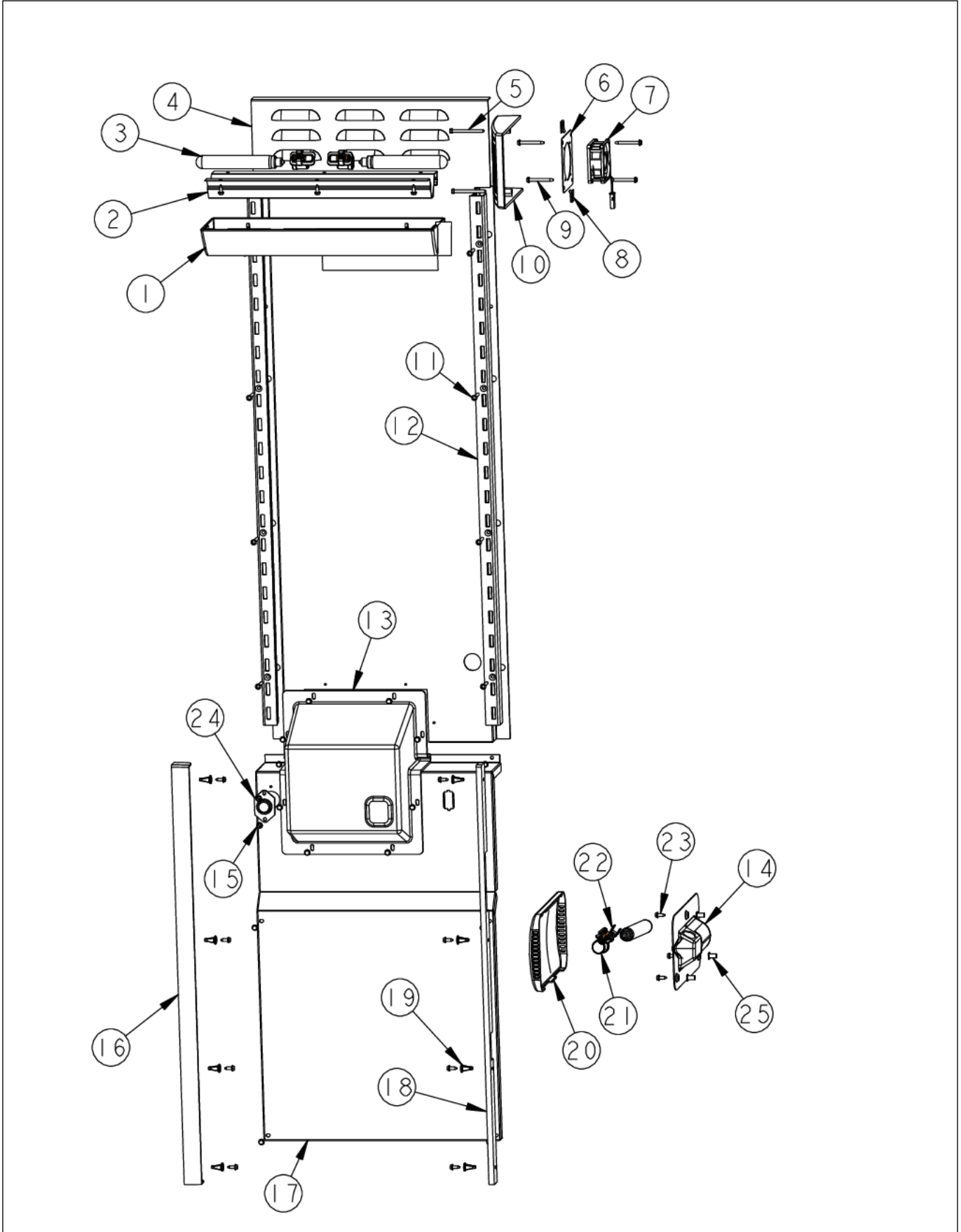
EVAPORATOR AREA





Item	Part No.	Name	Qty	Uom	NOTES
1	G5098660	FAN EVAP ASM PANASONIC	1	EA	
2	M0238859	SCREW-SHLDR	1	EA	
3	K2096458	BRKT-L-EVAP-FAN 12223102	1	EA	
4	058966-000	THERMOSTAT, SNAP ACTION, 55 OPEN 20 CLOSE	1	EA	
5	K2096457	BRKT-R-EVAP FAN 12223101	1	EA	
6	A3189370	GASKET-FOAM VA3189370	1	EA	
7	PM910206	EVAPORATOR SXS 48	1	EA	
8	10623003	CLIP-EVAP	1	EA	
9	K2096456	BRKT-EVAP CLIP 12215101	1	EA	
10	K2096461	BRKT-EVAP COVER 12234801	1	EA	
11	PD020194	SCR, HEX SRTD WSHR HD, #8- 18 X 1/2	1	EA	
12	10527401	CLIP-EVAP	1	EA	
13	10428101	CLIP-EVAP HTR V10428101	1	EA	
14	A3030303	GASKET	1	EA	
15	10629001	BLOCK-R AIR COIL RED	1	EA	
16	PJ910031	HEATER EVAP SXS	1	EA	
17	A3030361	GASKET RED	1	EA	

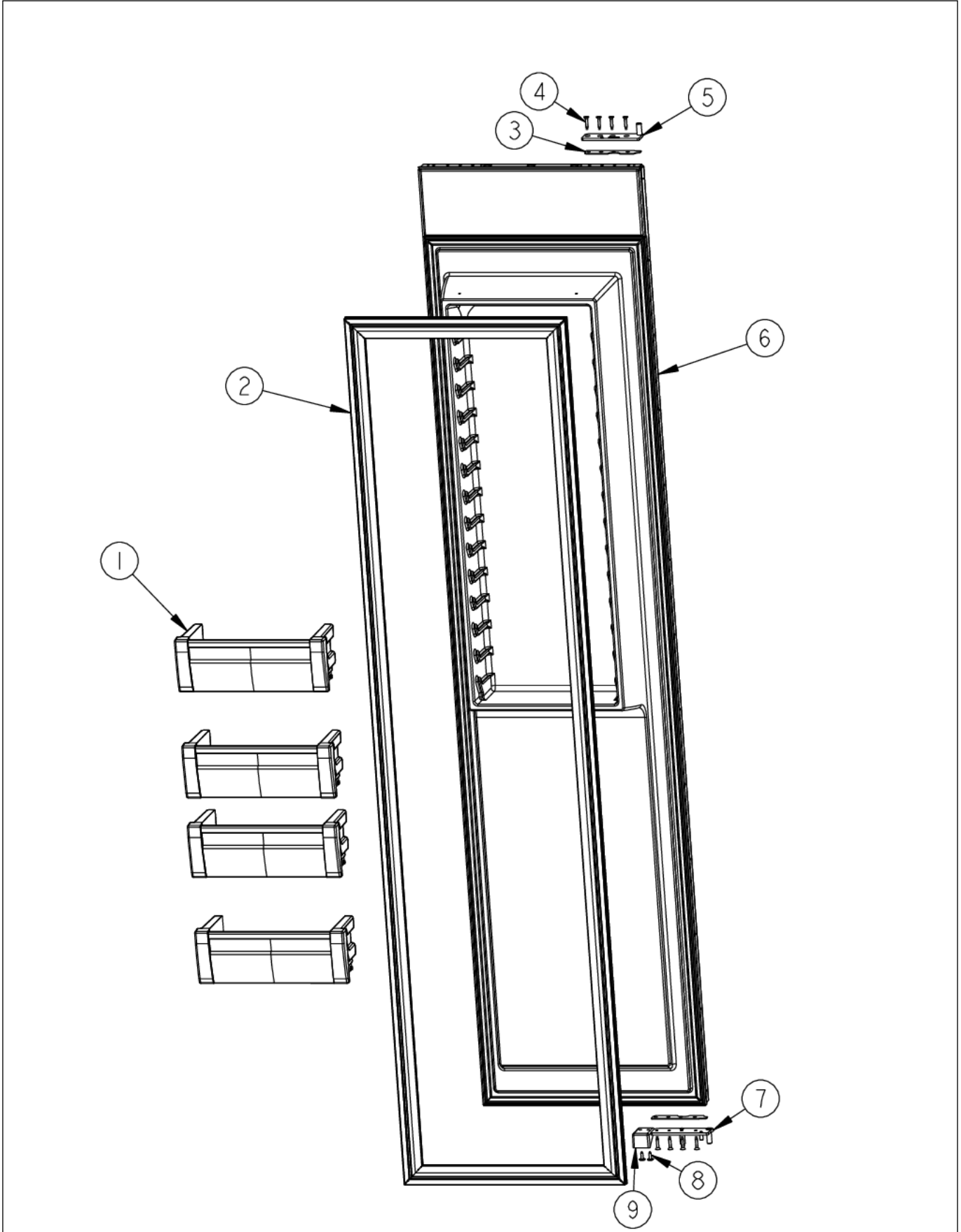
FREEZER COMPARTMENT





Item	Part No.	Name	Qty	Uom	NOTES
1	020117-000	COVER LIGHT ASM SXS 42 FZ	1	EA	
2	L2099475	BRACKET LIGHT SXS FZ	1	EA	
3	004528-000	LAMP, 40 WATT CLEAR LIGHT	1	EA	
4	L2097181	COVER EVAP UPPER SXS 48	1	EA	
5	M0221913	SCREW-SM	1	EA	
6	K2096475	FAN MOUNTING PLATE	1	EA	
7	004551-000	AXIAL FAN	1	EA	
Comments for Part Num. 004551-000					
gboltz@VikingRange.com on Jul 21, 2016					
View service bulletin TR-0052-SP before ordering fan, if applicable order kit instead of fan					
8	M0288120	NUT-SPEED VM0288120	1	EA	
9	PD020188	SCR 8-18 BT HXWS 1 1/2	1	EA	
10	PK930086	COVER FAN SXS 48 FZ	1	EA	
11	M0238535	SCREW-SM	1	EA	
12	12231701	LADDER-FZ L/R SIDE 42/48	1	EA	
13	PK930150	COVER CTR EVAP SXS	1	EA	
14	10270203	HOUSING-LIGHT V10270203	1	EA	
15	M0211014	SCREW-SM	1	EA	Not available online / Call for pricing and availability
16	PK930073	CLOSEOUT SIDE SXS 48 FZ L	1	EA	
17	L2097182	COVER EVAP LOWER SXS 48	1	EA	
18	V12304301	CLOSEOUT-FZ SIDE #	1	EA	
19	M0581001	GROMMET-SCREW VM0581001	1	EA	
20	PK930346	COVER LIGHT	1	EA	
21	PE950125	LIGHT SOCKET	1	EA	
22	B5733302	CLIP-GROUND	1	EA	
23	PD020194	SCR, HEX SRTD WSHR HD, #8-18 X 1/2	1	EA	
24	C8983701	THERMISTOR	1	EA	
25	M0580007	GROMMET-SCREW	1	EA	

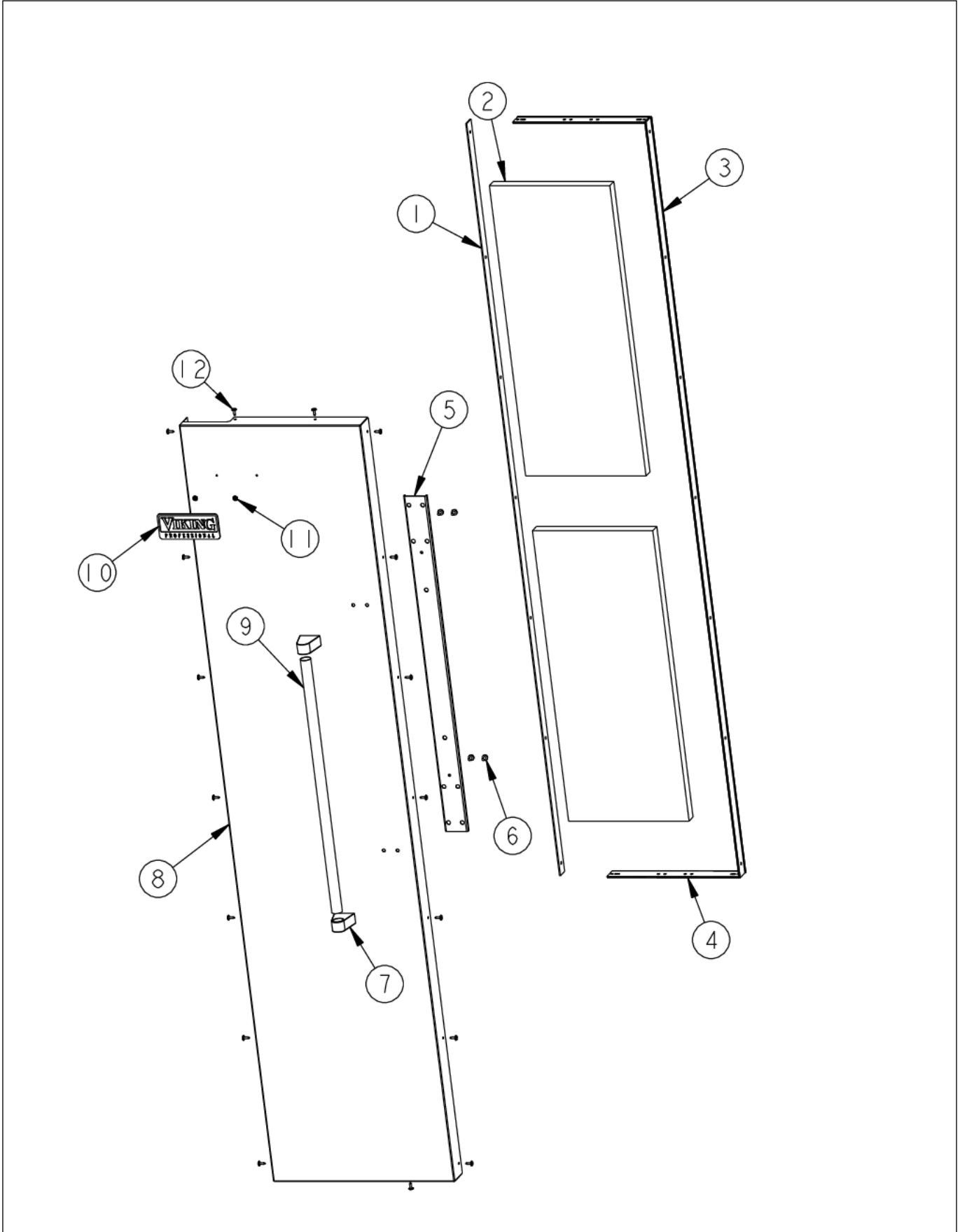
FREEZER DOOR FOAM AREA





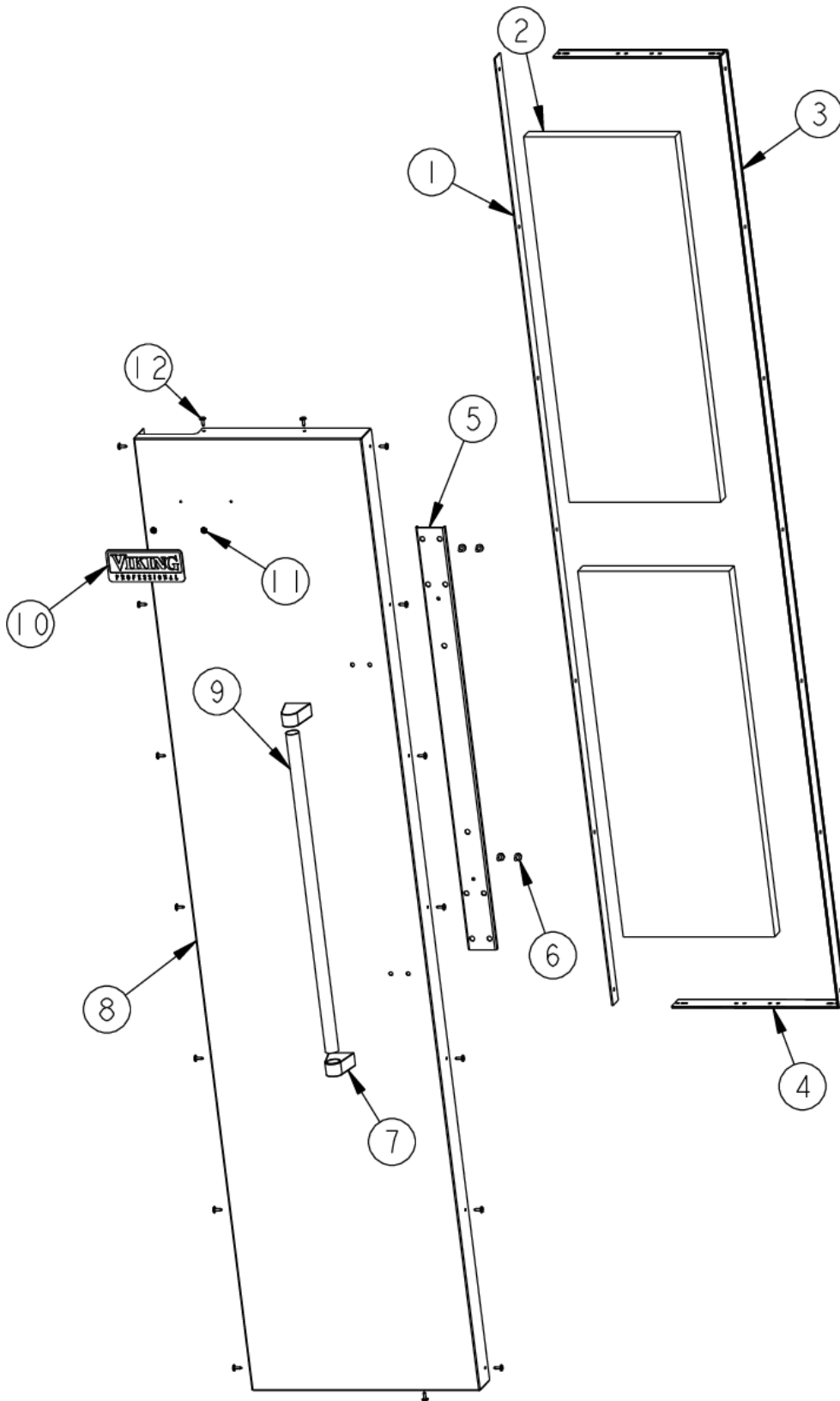
Item	Part No.	Name	Qty	Uom	NOTES
1	036888-000	DOORBIN ASM SXS FZ	1	EA	
2	001943-000	SERV. GASKET FACE CHARGE	1	EA	
Not Shown	NOTE	(BEFORE 06-10-08)		EA	
2	005455-000	GASKET,ASM,48,SXS,FZ VID# 602711917-17	1	EA	
Not Shown	NOTE	(ON OR AFTER 06-10-08)		EA	
3	PD040162	SPACER-DOOR HINGE	1	EA	
4	PD920174	10-32 TORX HEAD SCREW	1	EA	
5	PC020279	PIVOT PL ASM LH UP PRO/DES	1	EA	
6	G32915038	DOOR ASM 48 FZ	1	EA	NO LONGER AVAILABLE
Not Shown	NOTE	(Includes Gasket)		EA	
7	016182-000	PIVOT PL ASM LH LW PRO/DES	1	EA	
8	M0210458	SCREW-SM	1	EA	
9	PD050019	STRIKER DOOR SWITCH	1	EA	

FREEZER DOOR SKIN AREA



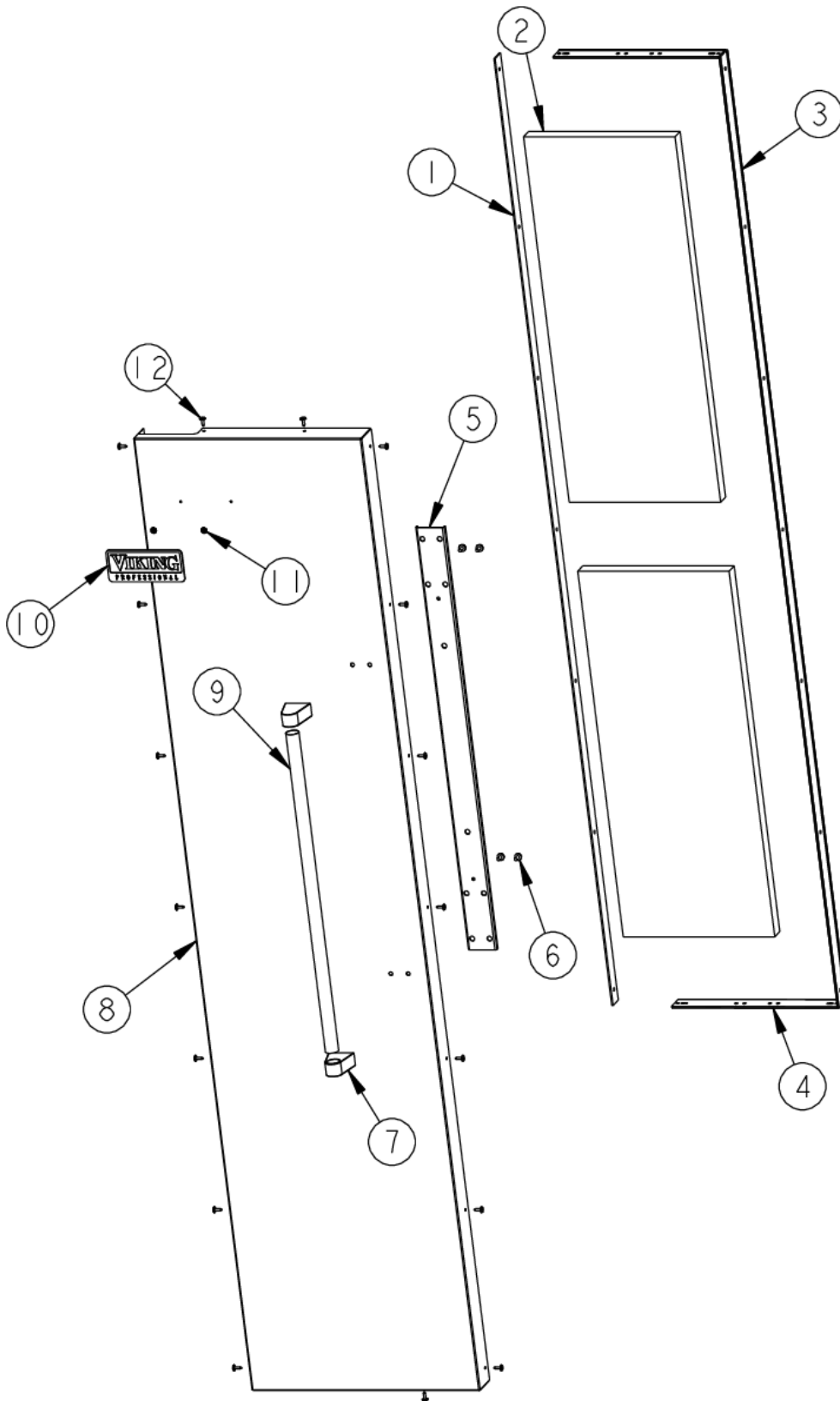


Item	Part No.	Name	Qty	Uom	NOTES
1	014581-000	SPACER,TRIM,SXS,AF,AR	1	EA	
2	000656-000	BLOCK,EPS REF DOOR 42/48 SXS FZ DES	1	EA	
3	PE940176	Door Trim - Side	1	EA	
4	056842-000	TRIM, FRZ, TOP/BTM, 48	1	EA	
5	K2097526	Bracket, Handle Support (Frz.)	1	EA	
6	M0204303	SCREW-MACH	1	EA	
7	000268-000	HANDLE ENDCAP	1	EA	
Not Shown	PE030001PVD	END CAP DOOR HANDLE *BR	1	EA	
8	000992-000	SKIN, DOOR, SXS 48 FZ PROI	1	EA	
Not Shown	002017-006	SKIN,DOOR,SXS 48 FF PROI WH	1	EA	NO LONGER AVAILABLE, Not available online / Call for pricing and availability
Not Shown	002017-007	SKIN,DOOR,SXS 48 FF PROI AL	1	EA	NO LONGER AVAILABLE, Not available online / Call for pricing and availability
Not Shown	NOTE	(Before 01/01/08)		EA	
Not Shown	002017-003	SKIN,DOOR,SXS 48 FF PROI BT	1	EA	NO LONGER AVAILABLE, Not available online / Call for pricing and availability
Not Shown	NOTE	(Before 01/01/08)		EA	
Not Shown	002017-014	SKIN,DOOR,SXS 48 FF PROI EP	1	EA	NO LONGER AVAILABLE, Not available online / Call for pricing and availability
Not Shown	NOTE	(Before 01/01/08)		EA	
Not Shown	002017-011	SKIN,DOOR,SXS 48 FF PROI FG	1	EA	NO LONGER AVAILABLE, Not available online / Call for pricing and availability
Not Shown	NOTE	(Before 01/01/08)		EA	
Not Shown	002017-002	SKIN,DOOR,SXS 48 FF PROI BK	1	EA	NO LONGER AVAILABLE



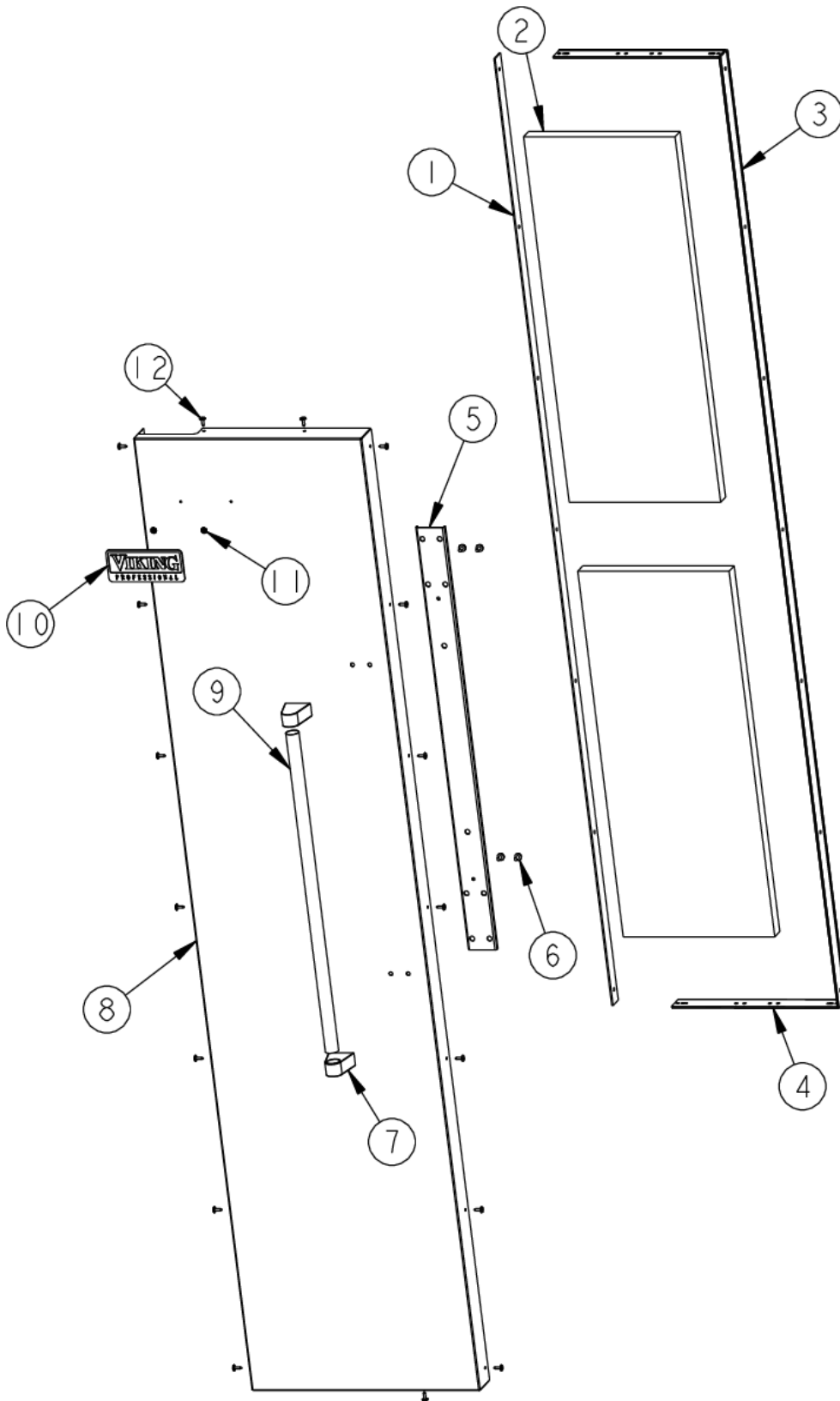


Item	Part No.	Name	Qty	Uom	NOTES
Not Shown	002017-008	SKIN,DOOR,SXS 48 FF PROI BU	1	EA	NO LONGER AVAILABLE, Not available online / Call for pricing and availability
Not Shown	002017-013	SKIN,DOOR,SXS 48 FF PROI CB	1	EA	NO LONGER AVAILABLE, Not available online / Call for pricing and availability
Not Shown	002017-005	SKIN,DOOR,SXS 48 FF PROI GG	1	EA	NO LONGER AVAILABLE, Not available online / Call for pricing and availability
Not Shown	002017-009	SKIN,DOOR,SXS 48 FF PROI LE	1	EA	NO LONGER AVAILABLE, Not available online / Call for pricing and availability
Not Shown	002017--010	DOOR SKIN - (MJ)	1	EA	Not available online / Call for pricing and availability
Not Shown	002017-004	SKIN,DOOR,SXS 48 FF PROI SG	1	EA	NO LONGER AVAILABLE, Not available online / Call for pricing and availability
Not Shown	002017-012	SKIN,DOOR,SXS 48 FF PROI VB	1	EA	NO LONGER AVAILABLE, Not available online / Call for pricing and availability
Not Shown	002017-024	SKIN,DOOR,SXS 48 FF PROI AR	1	EA	
Not Shown	NOTE	(After 01/01/08)		EA	
Not Shown	002017-016	SKIN,DOOR,SXS 48 FF PROI CH	1	EA	
Not Shown	NOTE	(After 01/01/08)		EA	
Not Shown	002017-018	SKIN,DOOR,SXS 48 FF PROI CW - NLA	1	EA	
Not Shown	NOTE	(After 01/01/08)		EA	
Not Shown	002017-020	SKIN,DOOR,SXS 48 FF PROI GM	1	EA	Not available online / Call for pricing and availability





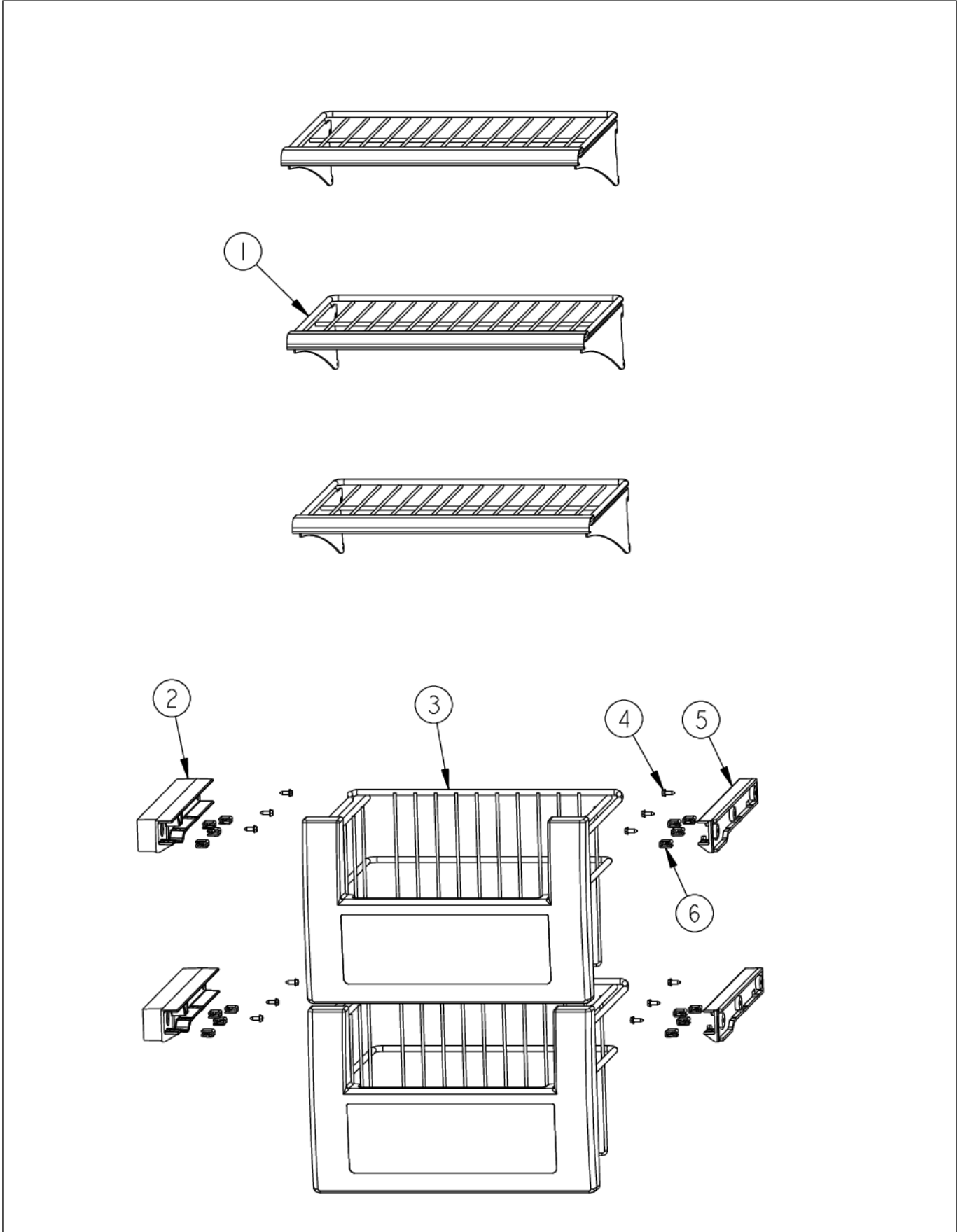
Item	Part No.	Name	Qty	Uom	NOTES
Not Shown	NOTE	(After 01/01/08)		EA	
Not Shown	002017-023	SKIN,DOOR,SXS 48 FF PROI IB	1	EA	
Not Shown	NOTE	(After 01/01/08)		EA	
Not Shown	002017-027	SKIN,DOOR,SXS 48 FF PROI MS	1	EA	
Not Shown	NOTE	(After 01/01/08)		EA	
Not Shown	002017-019	SKIN,DOOR,SXS 48 FF PROI OG	1	EA	
Not Shown	NOTE	(After 01/01/08)		EA	
Not Shown	002017-015	SKIN,DOOR,SXS 48 FF PROI PL	1	EA	
Not Shown	NOTE	(After 01/01/08)		EA	
Not Shown	002017-026	SKIN,DOOR,SXS 48 FF PROI PM	1	EA	
Not Shown	NOTE	(After 01/01/08)		EA	
Not Shown	002017-025	SKIN,DOOR,SXS 48 FF PROI RR	1	EA	
Not Shown	NOTE	(After 01/01/08)		EA	
Not Shown	002017-021	SKIN,DOOR,SXS 48 FF PROI SA	1	EA	
Not Shown	NOTE	(After 01/01/08)		EA	
Not Shown	002017-022	SKIN,DOOR,SXS 48 FF PROI SE	1	EA	
Not Shown	NOTE	(After 01/01/08)		EA	
Not Shown	002017-017	SKIN,DOOR,SXS 48 FF PROI TP	1	EA	
Not Shown	NOTE	(After 01/01/08)		EA	
9	PE930101	VCSB482 HANDLE -(12466403)	1	EA	
Not Shown	PE030012PVD	DOOR HANDLE - RH - (30"/48") PVD	1	EA	
10	PE010030	LOGO	1	EA	





Item	Part No.	Name	Qty	Uom	NOTES
Not Shown	PE010068	LOGO 6" (VGRC) BK/BR	1	EA	
Not Shown	PE010031	LOGO 6" (VGRC) *BK/WH*	1	EA	NO LONGER AVAILABLE
Not Shown	PE010076	LOGO 6" (VGRC) *BR/WH*	1	EA	NO LONGER AVAILABLE
11	PD030006	CAPPED WASHER PAL NUT	1	EA	
12	M0210458	SCREW-SM	1	EA	

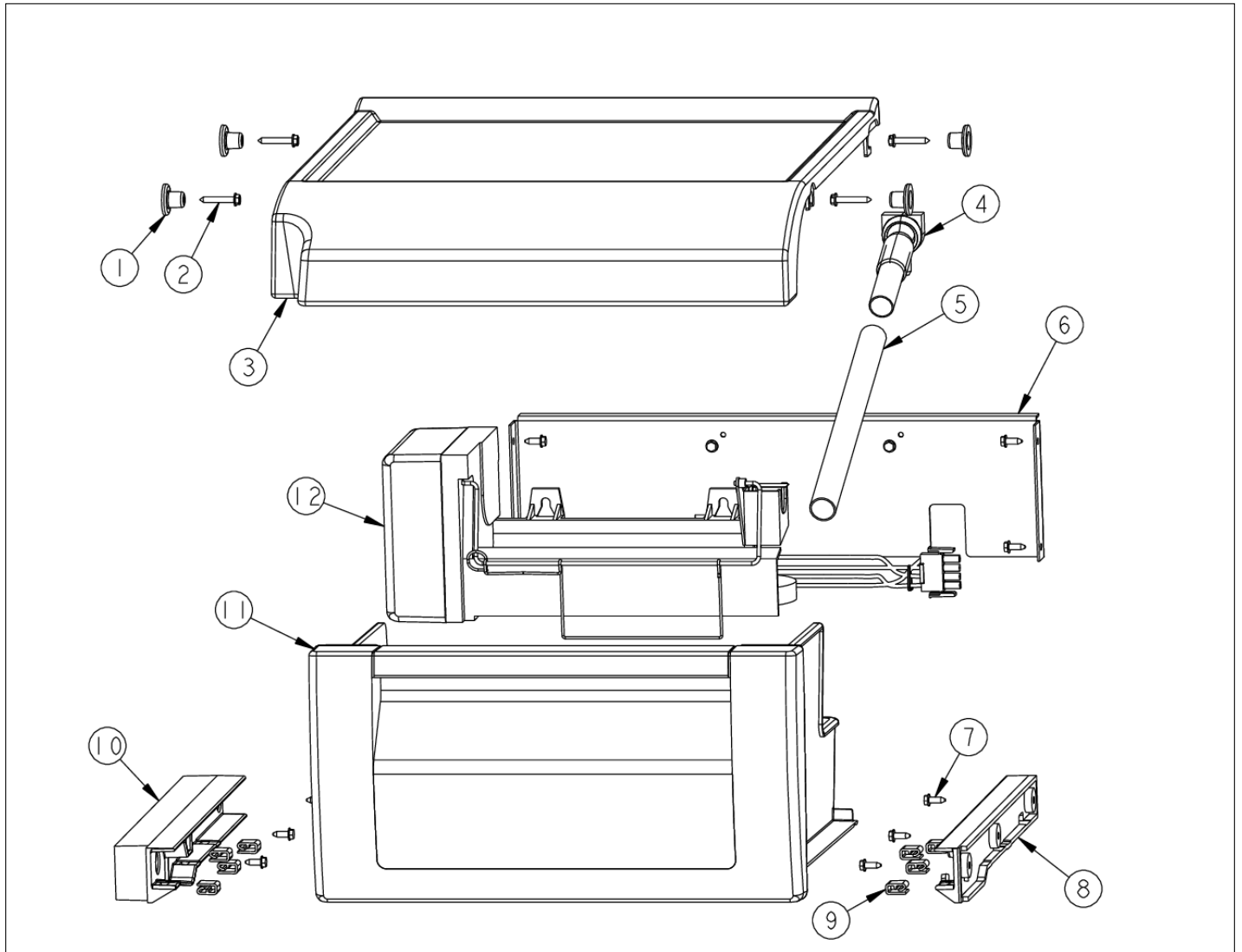
FREEZER SHELVING





Item	Part No.	Name	Qty	Uom	NOTES
1	PM910411	SHELF WIRE AF 36	1	EA	
2	PK930075	GLIDE SXS 48 FZ L	1	EA	
3	PM910190	BASKET ASM FZ	1	EA	
4	PD020194	SCR, HEX SRTD WSHR HD, #8-18 X 1/2	1	EA	
5	PK930074	GLIDE SXS 48 FZ R	1	EA	
6	12064701	PAD-GLIDE V12064701	1	EA	

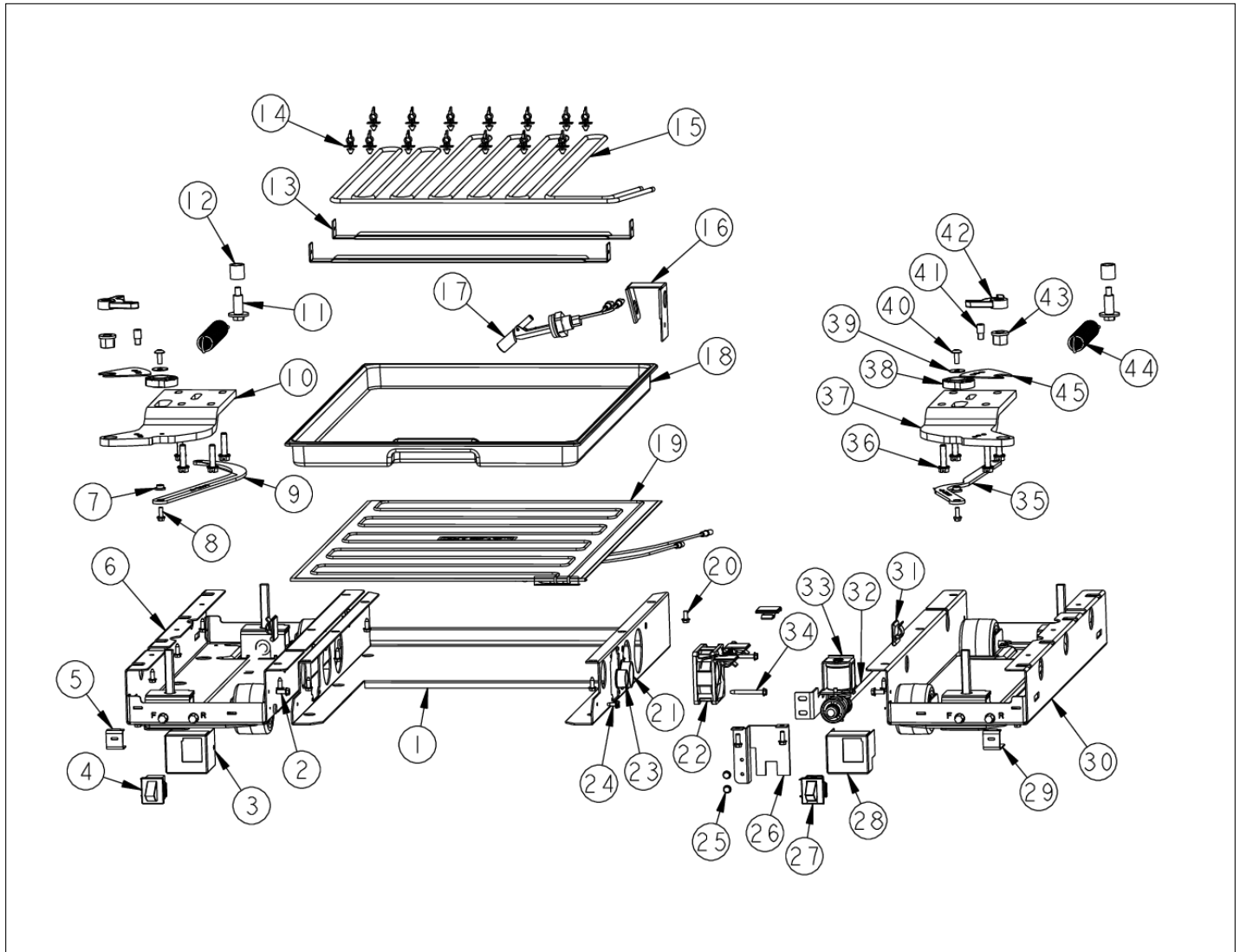
ICE MAKER AREA





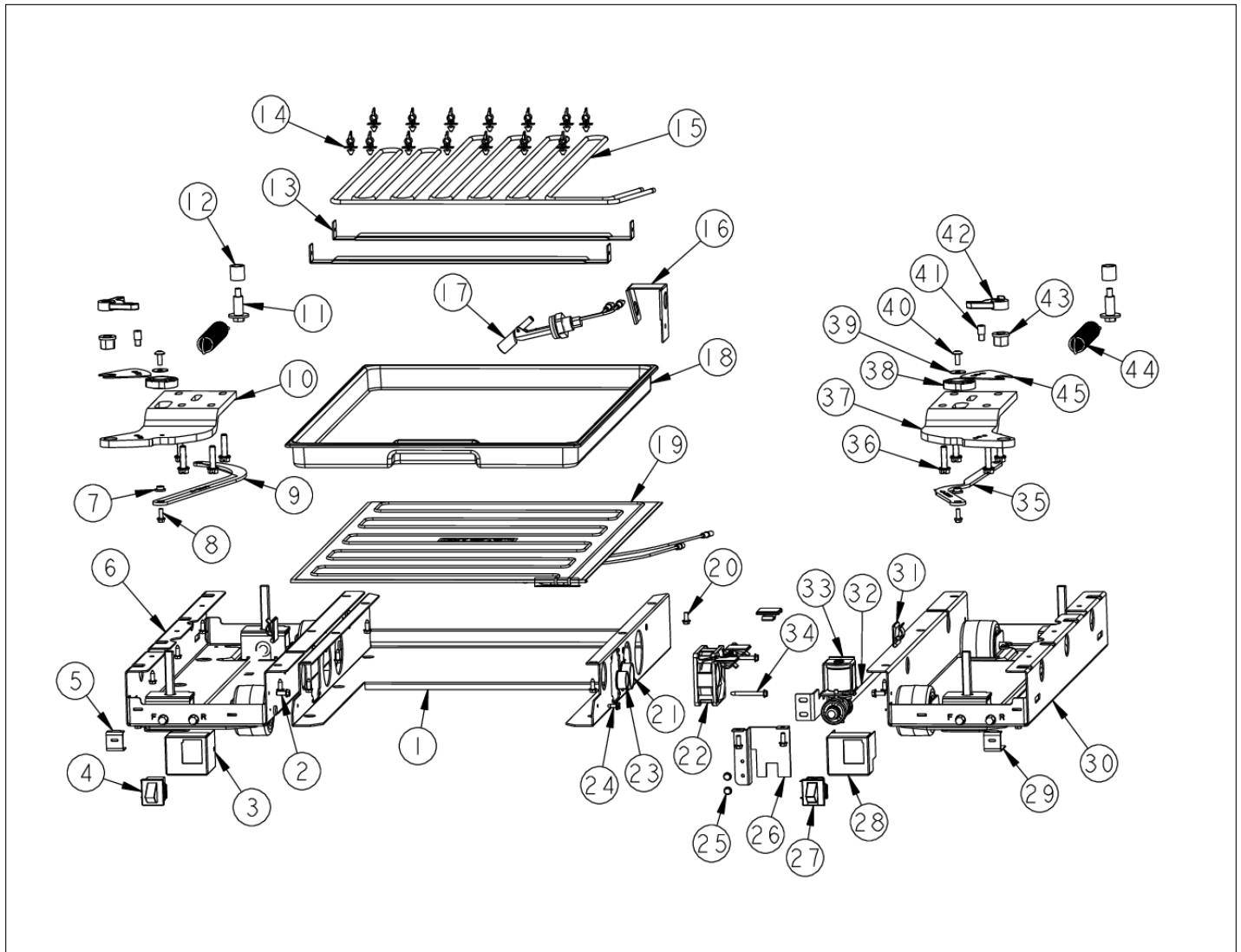
Item	Part No.	Name	Qty	Uom	NOTES
1	12258501	SUPPORT-SHELF	1	EA	
2	M0211021	SCREW-SM	1	EA	
3	PK930079	SHELF COVER SXS 48 FZ	1	EA	
4	G5096419	FILL TUBE ASSY	1	EA	
<p>Comments for Part Num. G5096419</p> <p>bradleysapplianceservice@shaw.ca on May 11, 2018</p> <p>This part G5096419 does NOT come with the aluminum tube.</p> <p>If aluminum tube is required, order 005899-000 and cut to size.</p>					
5	A3127415	EXT-FILL TUBE	1	EA	
6	C9097183WH	SUPPORT IM ND SXS 48 WH	1	EA	
7	PD020194	SCR, HEX SRTD WSHR HD, #8-18 X 1/2	1	EA	
8	PK930074	GLIDE SXS 48 FZ R	1	EA	
9	12064701	PAD-GLIDE V12064701	1	EA	
10	PK930075	GLIDE SXS 48 FZ L	1	EA	
11	PK930076	ICE PAN ASM SXS 48	1	EA	
12	043156-000	ICEMAKER ASSEMBLY	1	EA	

LOWER UNIT AREA





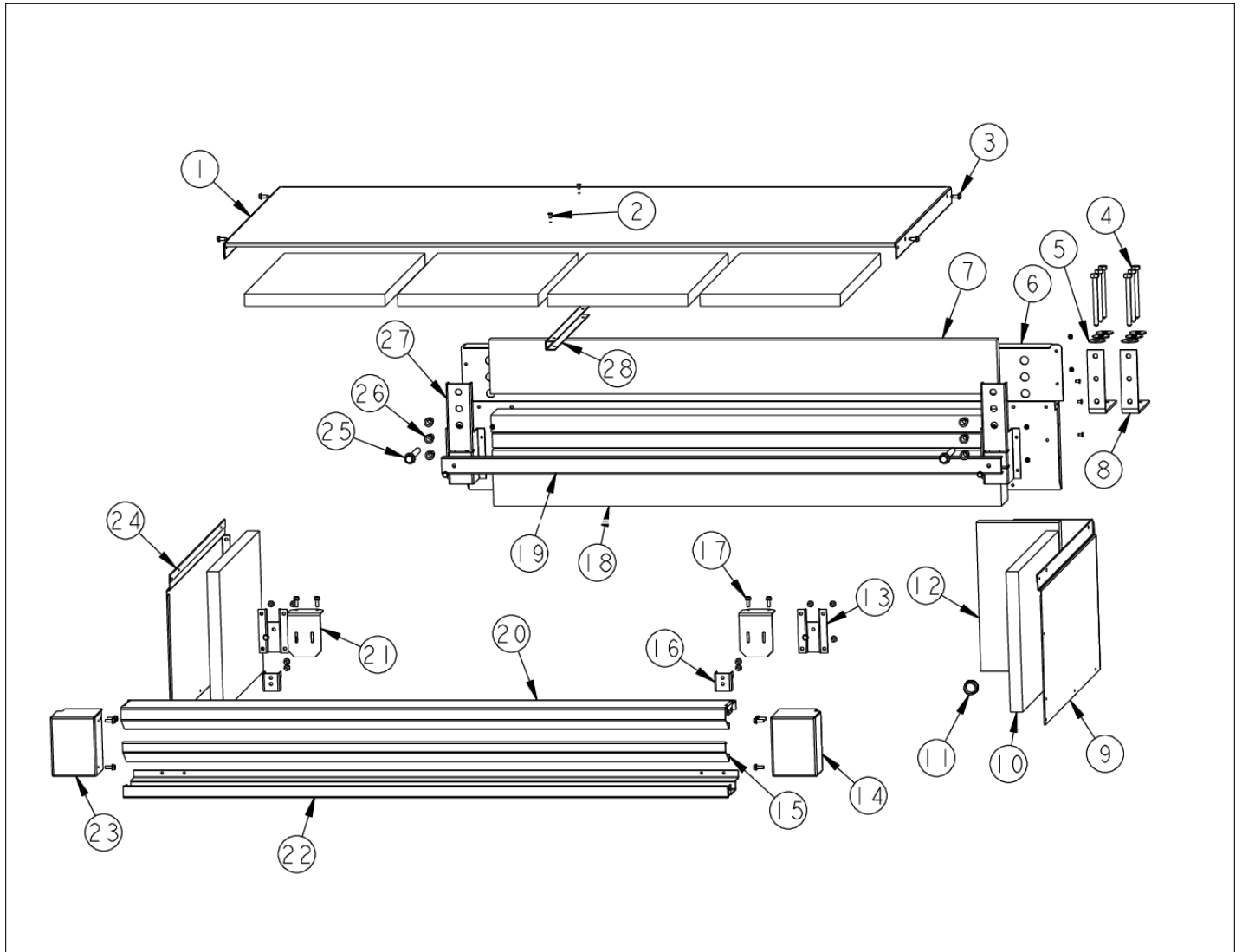
Item	Part No.	Name	Qty	Uom	NOTES
1	K20915952	SHIELD BOTTOM DRAIN	1	EA	
2	M0220417	SCREW-TC	1	EA	
3	002668-000	SWITCH,GRILLE,MT,LH	1	EA	
4	PE950146	SPDT SWITCH	1	EA	
5	K2098096	BRKT GRILLE SUPPORT	1	EA	
6	060891-000	LEVELER MODULE L	1	EA	
7	PD940094	BUSHING	1	EA	
8	M0220417	SCREW-TC	1	EA	
9	PC920149	BAR-WC BOT HINGE LH	1	EA	
10	PC020289	HINGE PLATE LL	1	EA	
11	M0221523	SCREW - SHLDR	1	EA	
12	PD940107	ROUND SPRING SPACER	1	EA	
13	K20911831	BRACKET CONDENSATE SUPPORT	1	EA	
14	PD030146	STAND OFF LOCK CLIP	1	EA	
15	F20915693	SERPENTINE CONDENSER DRAIN ALL SXS'S	1	EA	
16	B20915627	BRACKET HORIZ FLOAT SWITCH	1	EA	
17	PE050248	FLOAT SWITCH HORIZONTAL	1	EA	
18	PK930348	PAN DRAIN	1	EA	
19	G50911853	TRAY PAN HEATER	1	EA	
20	PD020010	10 X 3/8 GREEN GROUNDING SCREW	1	EA	
21	A4554817	BUSHING-SNAP VA4554817	1	EA	
22	004551-000	AXIAL FAN	1	EA	
Comments for Part Num. 004551-000					
gboltz@VikingRange.com on Jul 21, 2016					
View service bulletin TR-0052-SP before ordering fan, if applicable order kit instead of fan					
23	A4554806	BUSHING-SNAP VA4554806	1	EA	
24	M0253916	SCR 8-32 SHXW 3/8 TRI-LOBE	1	EA	
25	PD020194	SCR, HEX SRTD WSHR HD, #8-18 X 1/2	1	EA	
26	K20913788	BRKT VALVE H2O SINGLE	1	EA	





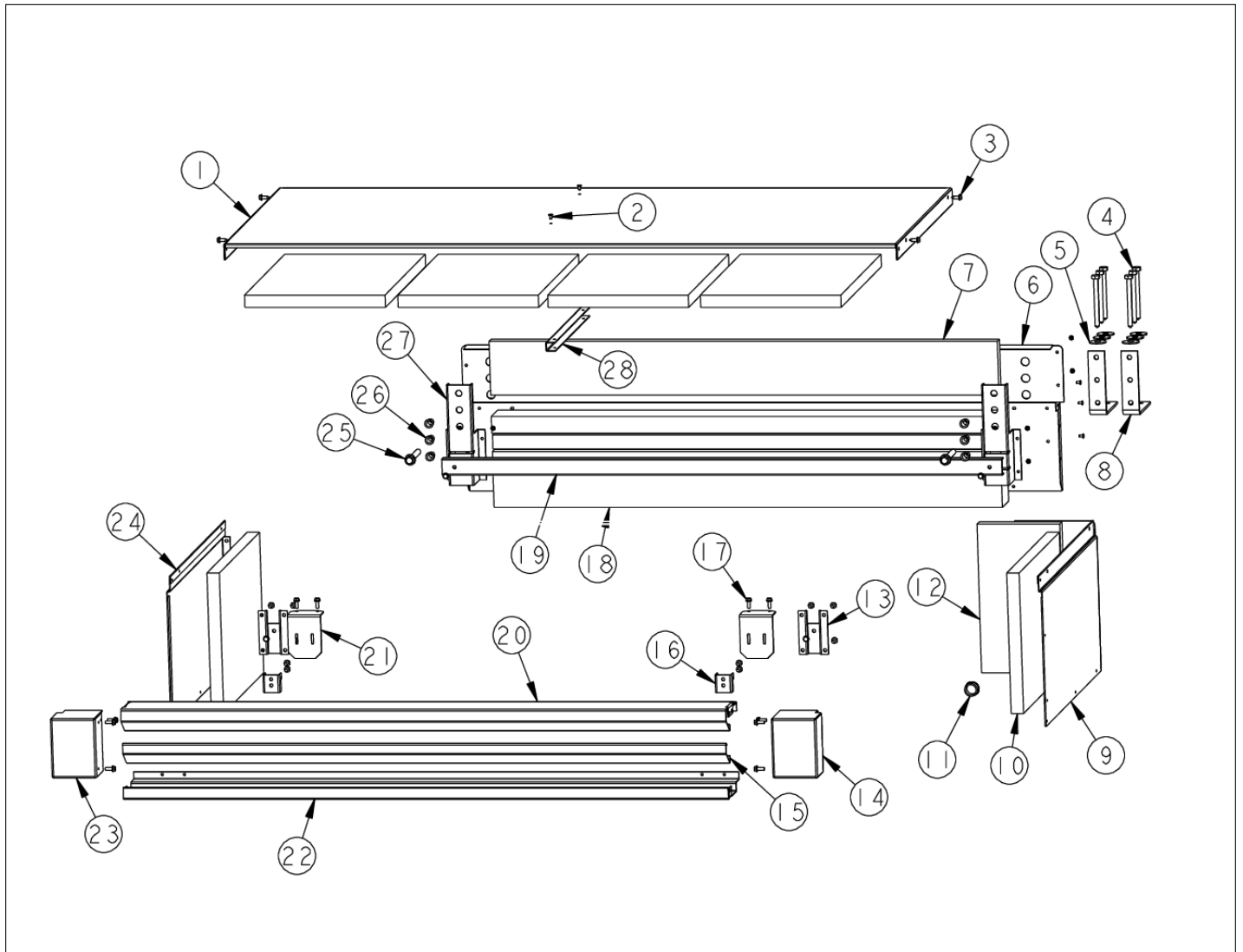
Item	Part No.	Name	Qty	Uom	NOTES
27	PE950147	SWITCH SPST NC BLACK	1	EA	
<p>Comments for Part Num. PE950147</p> <p>bradleysapplianceservice@shaw.ca on May 1, 2017 CAUTION WHEN ORDERING DOOR SWITCH. PARTS LISTINGS COULD BE INCORRECT. THERE IS TWO VERSIONS OF THIS DOOR SWITCH THAT NEEDS TO BE VISUALLY CHECKED ON UNIT TO DETERMINE CORRECT PART. PE950146 DOOR SWITCH 3 WIRE SPDT BLACK PE950147 DOOR SWITCH 2 WIRE SPST BLACK</p>					
28	002667-000	SWITCH,GRILLE,MT,RH	1	EA	
29	K2098044	BRKT GRILLE SUPPORT	1	EA	
30	060890-000	LEVELER MODULE R	1	EA	
31	M0104106	CLIP-CORD VM0104106	1	EA	
32	PB020304	PLASTIC TUBING-IM WATERLINE	1	EA	
33	PA970012	SINGLE WATER VALVE	1	EA	
34	PD020188	SCR 8-18 BT HXWS 1 1/2	1	EA	
35	PC920166	HINGE ASM COMPLETE RR	1	EA	
36	000570-000	FASTENER, BOLT, 1/4-20 IHXWS 1" S ZN SER	1	EA	
37	PC020288	HINGE PLATE LR	1	EA	
38	044370-000	CAM DOOR ADJUSTMENT (SXS)	1	EA	
39	000586-000	WSHR FENDER .219X.688 X.030 BO	1	EA	
40	PD020234	SCREW THP 10-32 X .500 SS BO	1	EA	
41	PC920145	PIN - DOOR STOP	1	EA	
42	PD940091	BUSHING - DOOR STOP	1	EA	
43	PD940090	BUSHING - WC DOOR LEVEL	1	EA	
44	PC910015	SPRING EXTENSION	1	EA	
45	PC920144	PLATE - WC DOOR SHIM	1	EA	

MC COVER AND GRILLE AREA





Item	Part No.	Name	Qty	Uom	NOTES
1	K20910007	MC TOP SXS 48	1	EA	
2	PC040010	POP RIVET (.063/GR -.125) GAMD42-A	1	EA	
3	PD020194	SCR, HEX SRTD WSHR HD, #8- 18 X 1/2	1	EA	
4	M0223509	SCREW-LAG	1	EA	
5	M0270510	WASHER #	1	EA	
6	K20910008	MC BACK SXS 48	1	EA	
7	PB070362	INSULATION MC COVER	1	EA	NO LONGER AVAILABLE, Not available online / Call for pricing and availability
8	PK910089	BRACKET, ANTI - TIP	1	EA	
9	K2099459	MC SIDE (RIGHT)	1	EA	
10	PB070355	INSULATION MC COVER	1	EA	
11	A4554806	BUSHING-SNAP VA4554806	1	EA	
12	PB970171	MC INSULATION - BACK SIDE	1	EA	Not available online / Call for pricing and availability
13	PK050004	BRACKET GRILLE 5 SERIES	1	EA	
14	B20916337	ENDCAP GRILLE PROI R	1	EA	
15	B20916322	LOUVER GRILLE MID SXS 48 PROI	1	EA	
16	B2096961	BRACKET-LOUVER	1	EA	
17	M0220417	SCREW-TC	1	EA	
18	PB070361	INSULATION MC COVER	1	EA	
19	K20915904	CROSSMEMBER PSM 48	1	EA	NO LONGER AVAILABLE, Not available online / Call for pricing and availability
20	B20916321	LOUVER GRILLE TOP SXS 48 PROI	1	EA	Not available online / Call for pricing and availability
21	K20916342	BRACKET GRILLE	1	EA	
22	B20916323	LOUVER GRILLE BOT SXS 48 PROI	1	EA	Not available online / Call for pricing and availability
23	B20916338	ENDCAP GRILLE PROI L	1	EA	

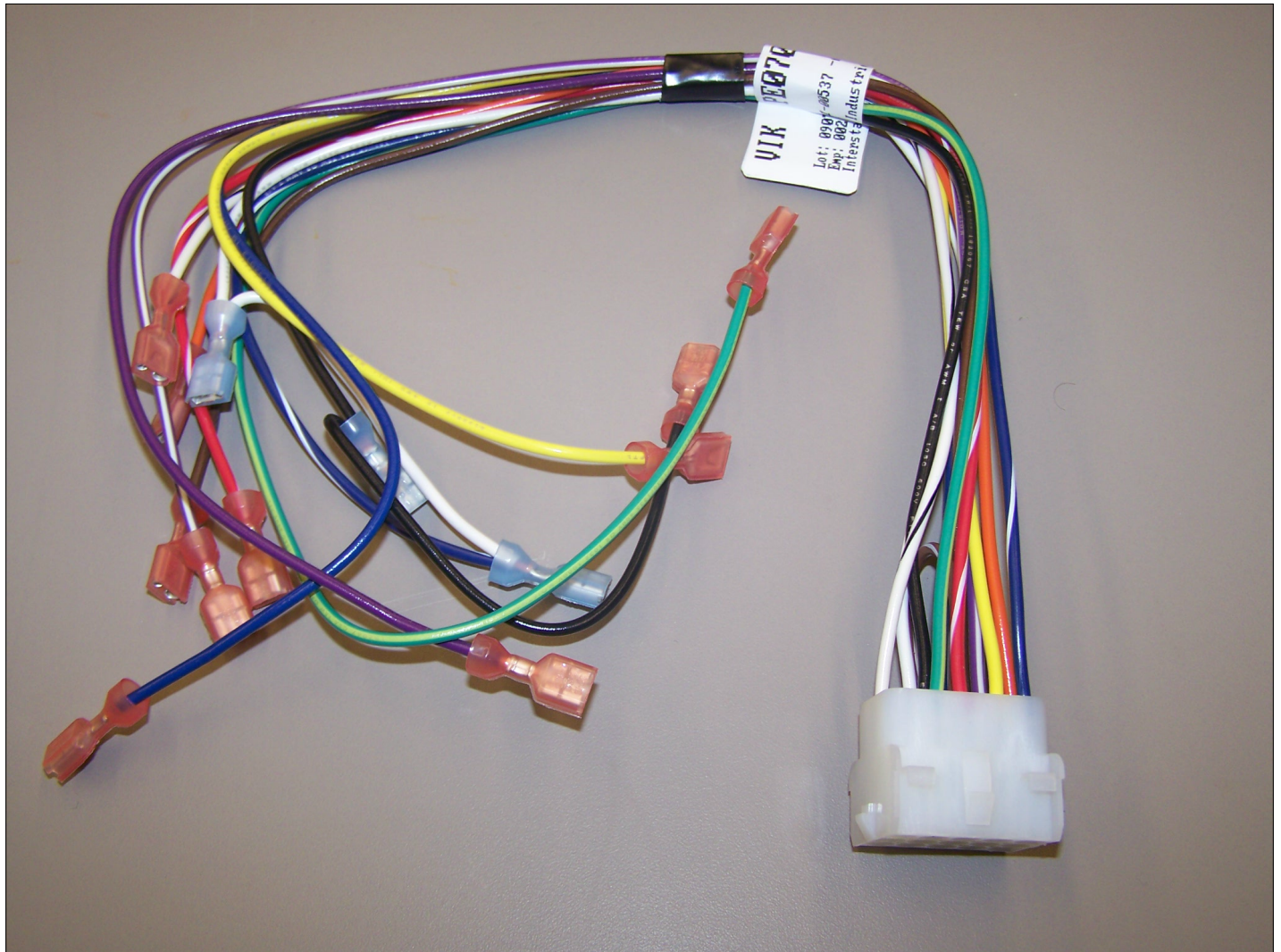




Item	Part No.	Name	Qty	Uom	NOTES
24	K2099460	MC SIDE L	1	EA	
25	PD020233	SCR LAG 5/16-9 GX 5/16X7/16 WAF IHXW 3 S ZN	1	EA	
26	PD040157	BEARING SLEEVE	1	EA	
27	K20915675	BRACKET PSM	1	EA	
28	K2099455	SUPPORT MC Z	1	EA	



PE070785 HIGH VOLT HARNESS

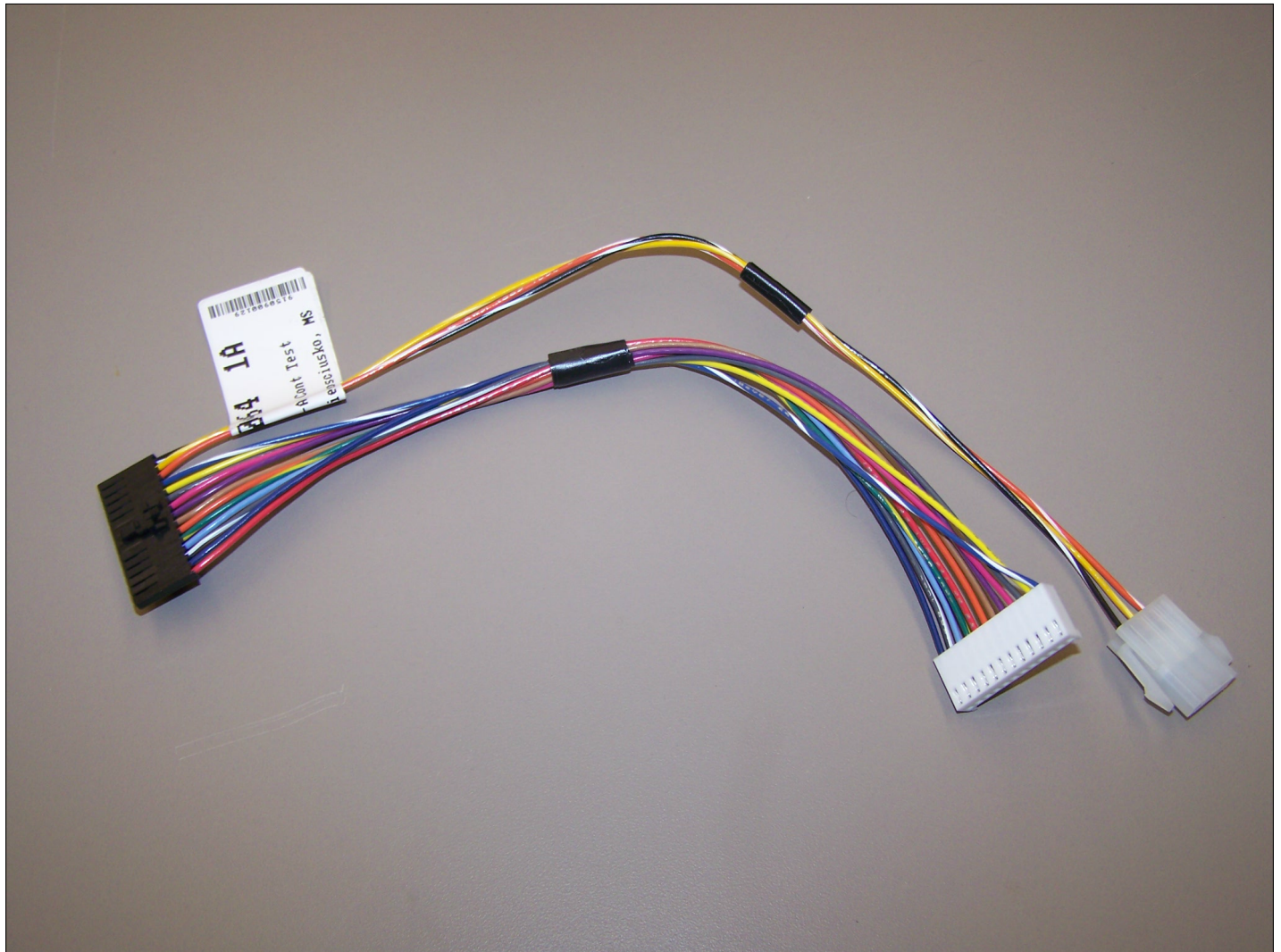




Item	Part No.	Name	Qty	Uom	NOTES
1	PE070785	Harness, High Voltage Board	1	EA	



PE970464 LOW VOLT HARNESS

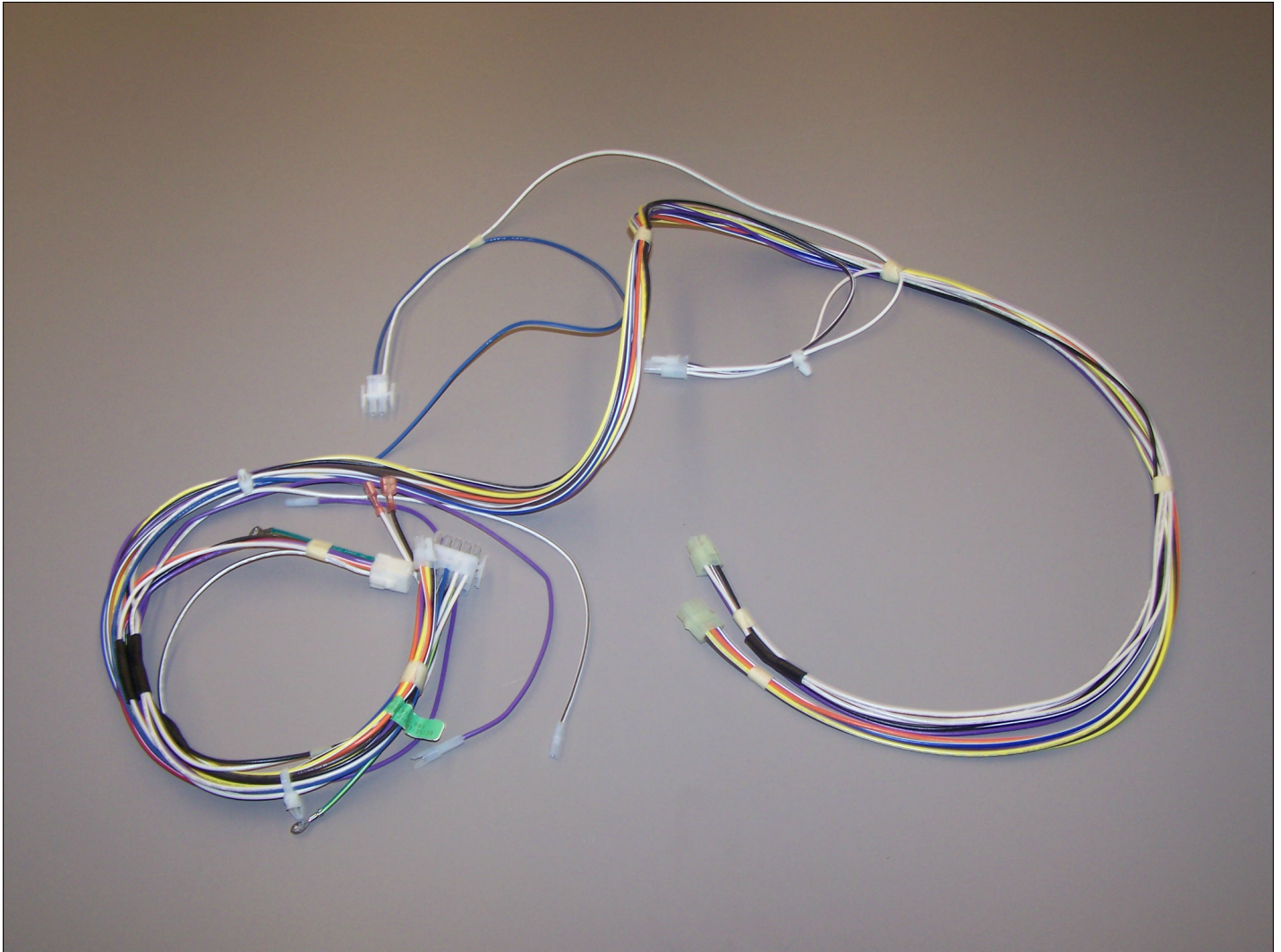




Item	Part No.	Name	Qty	Uom	NOTES
1	PE970464	HARNESS LOW VOLT 5 SERIES	1	EA	



PE970595 MACHINE HARNESS

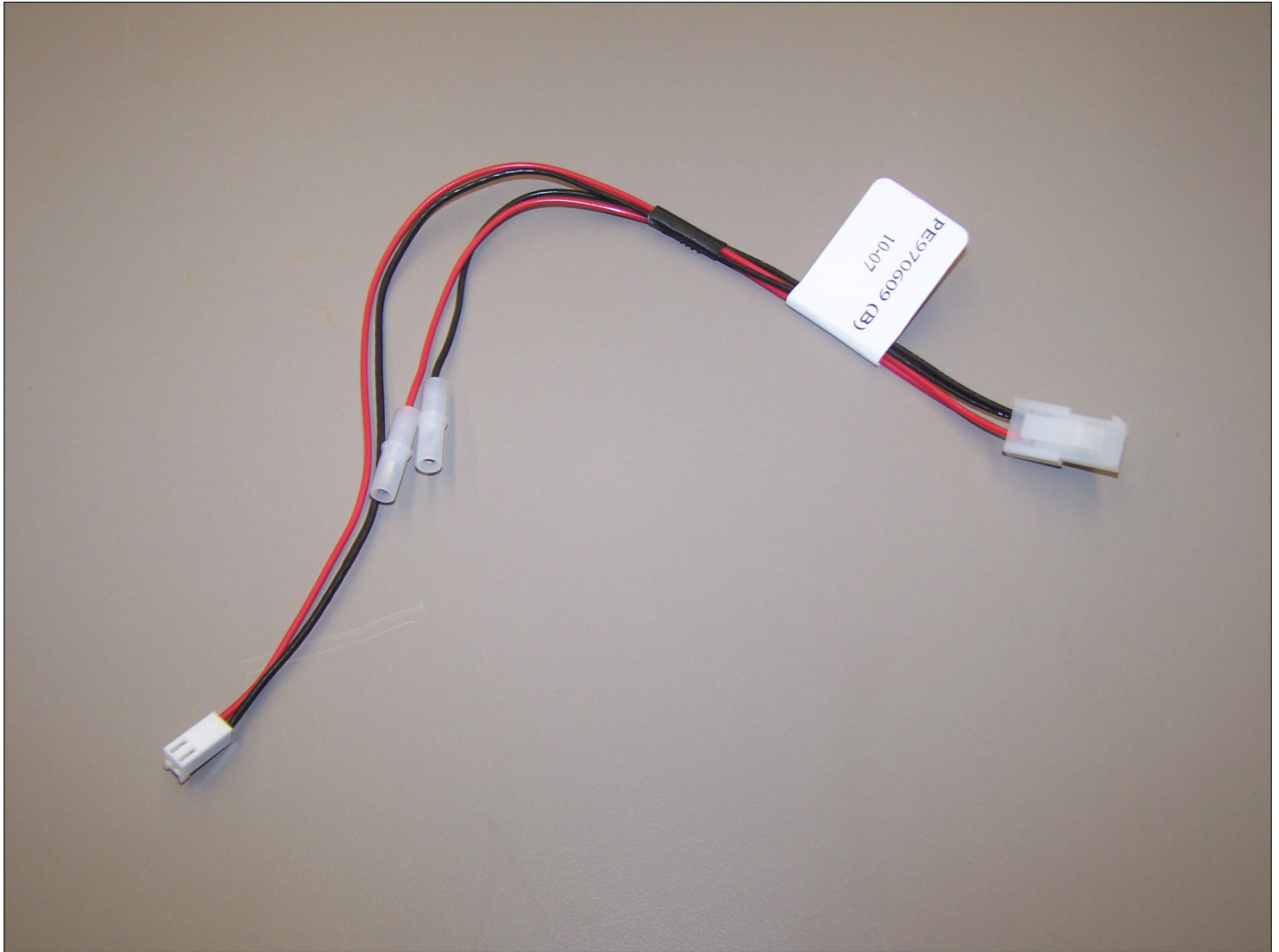




Item	Part No.	Name	Qty	Uom	NOTES
1	PE970595	HARNESS MACH SXS	1	EA	



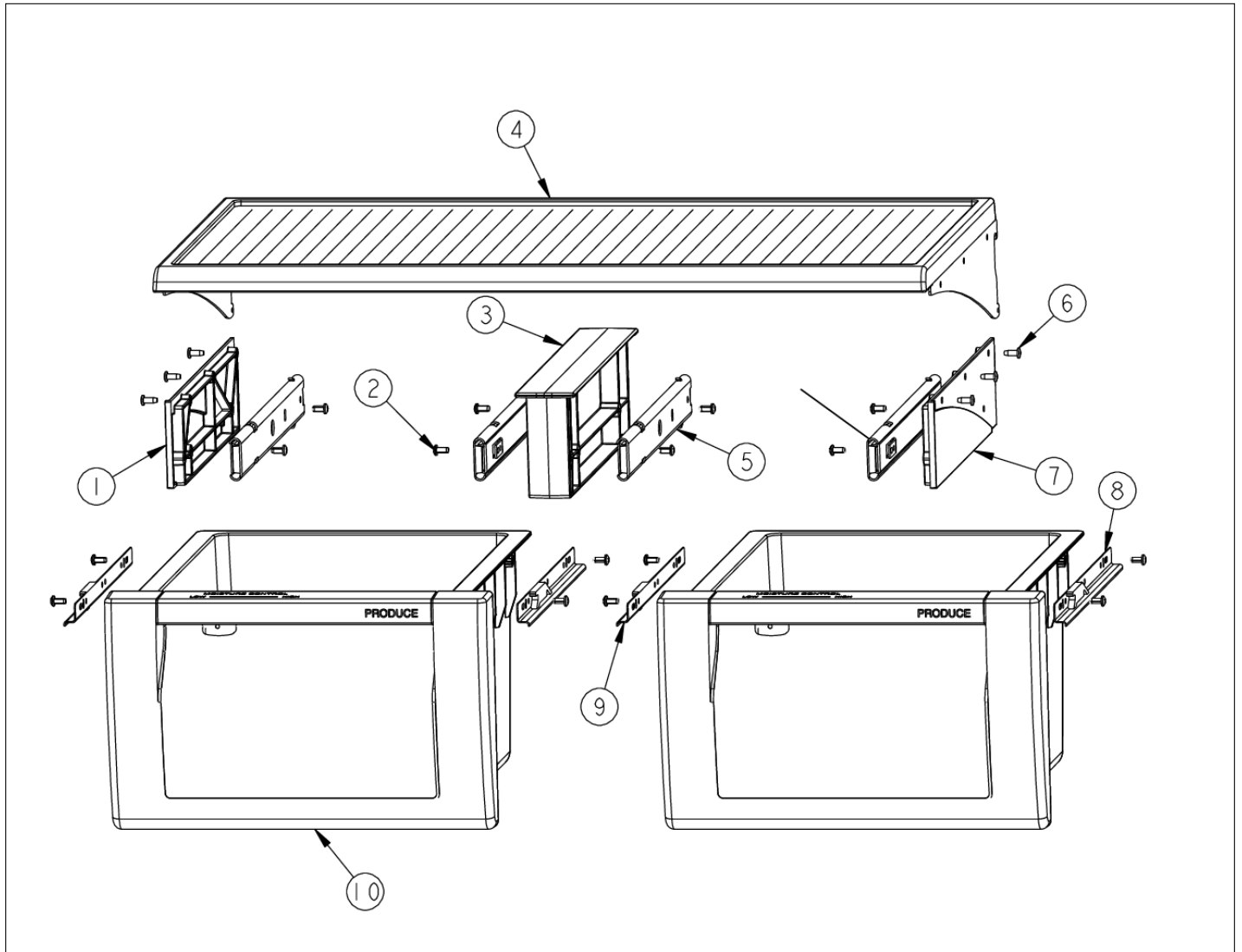
PE970609 CONTROL BOARD HARNESS





Item	Part No.	Name	Qty	Uom	NOTES
1	PE970609	HARNESS CONTROL BOARD 5 SERIES	1	EA	

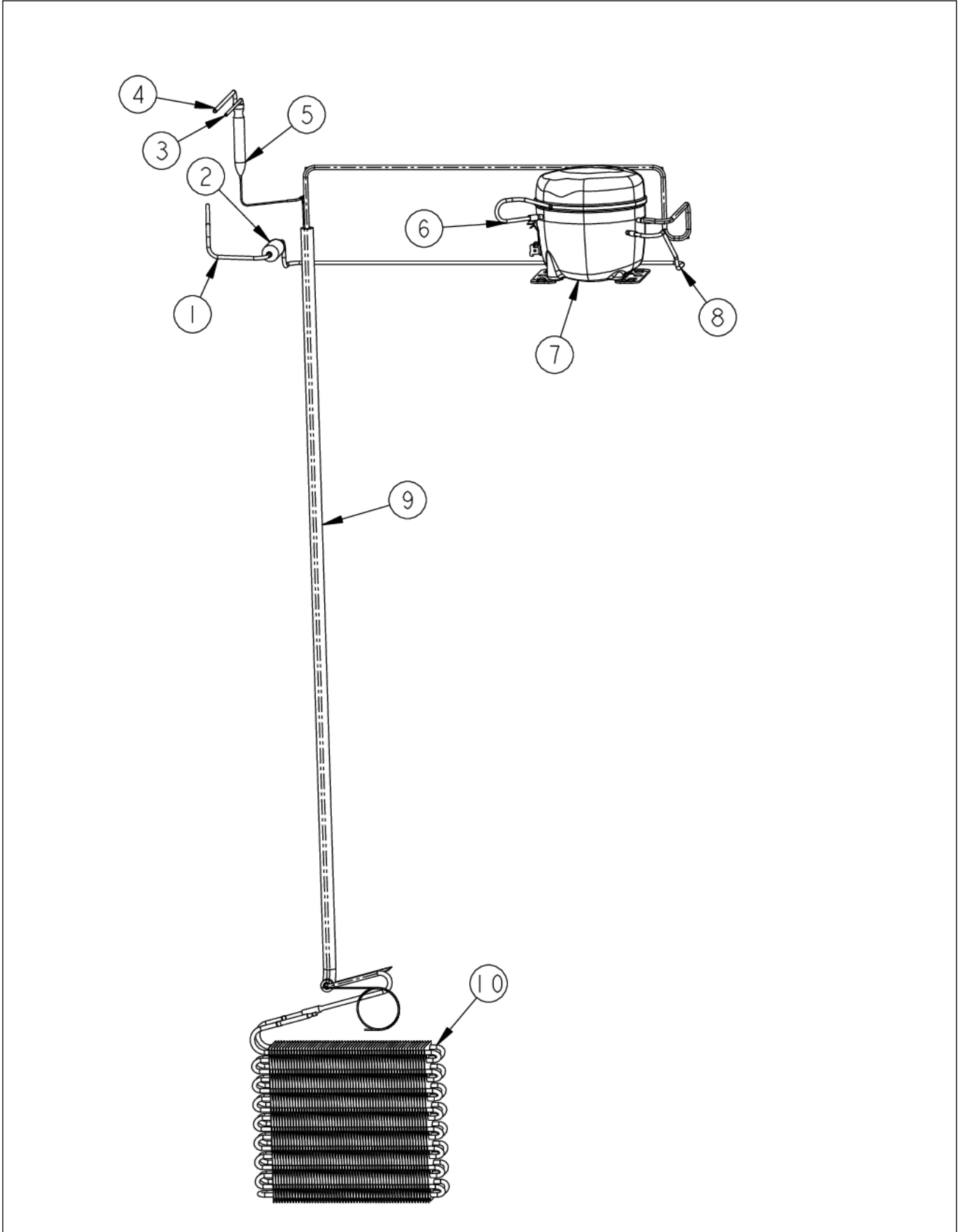
PRODUCE DRAWER





Item	Part No.	Name	Qty	Uom	NOTES
1	044219-000	SUPPORT SLIDER L	1	EA	
2	PD920161	SCR 8-16 PLASTITE PNP 3/8 S	1	EA	
3	PK030439	GLIDE CENTER SUPPORT	1	EA	
4	043624-000	SHELF ASM GLASS 30 AR 48 FF	1	EA	
5	046255-000	SLIDE, DWR, SOFT CLOSE, LH	2	EA	
6	PD020032	SRW-8(A)X3/8"PH.WFR HD 7/16DIA*NICL	1	EA	
7	044214-000	SUPPORT SLIDER R	1	EA	
8	PM910343	RAIL DRAWER R	1	EA	
9	PM910342	RAIL DRAWER L	1	EA	
10	009925-000	PRODUCE AR 30 SXS 48	2	EA	
11	046235-000	SLIDE, DWR, SOFT CLOSE-RH	2	EA	

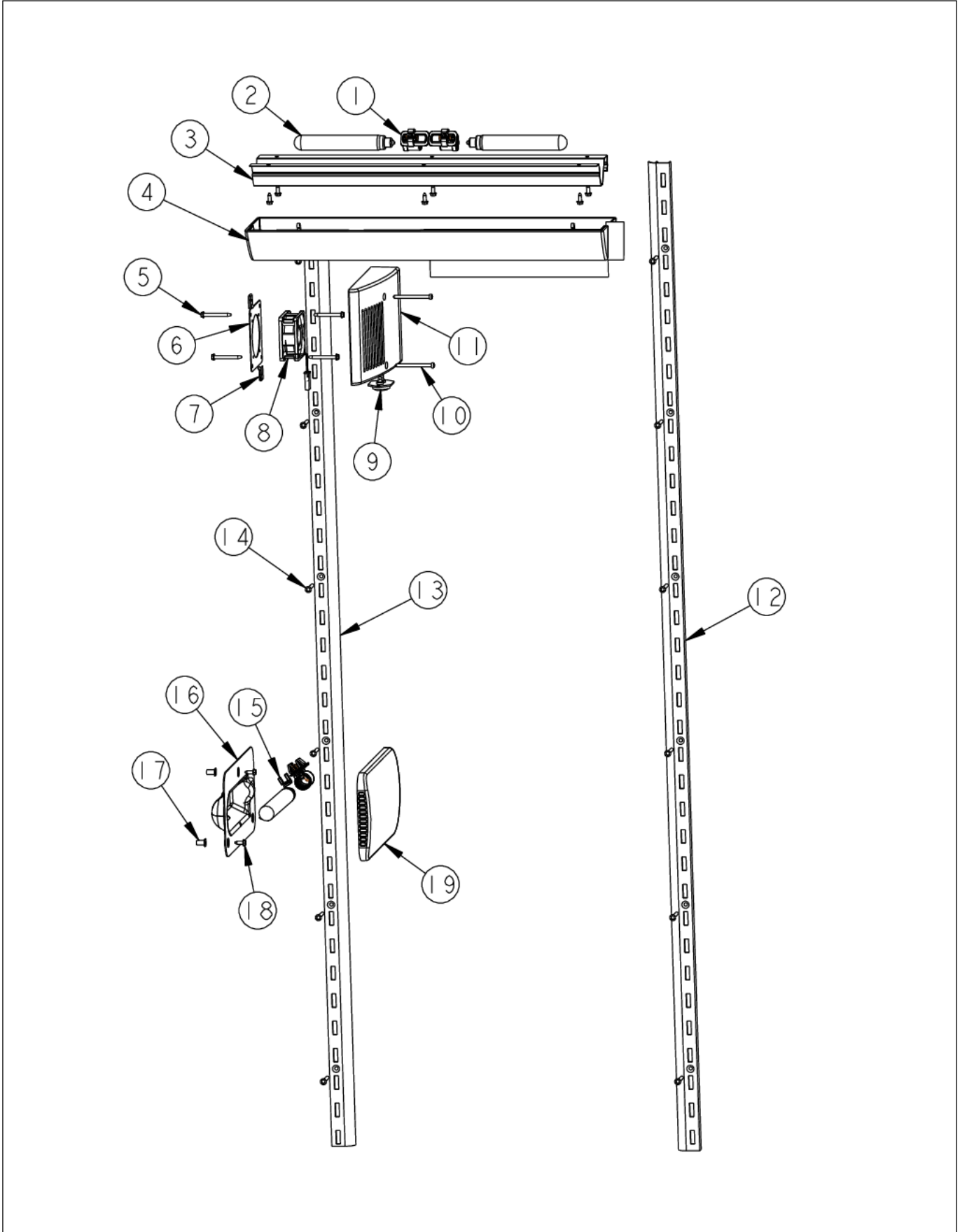
REFRIGERANT SYSTEM





Item	Part No.	Name	Qty	Uom	NOTES
1	F2099444	TUBE DISCHARGE FORMED POST ACCUM	1	EA	
2	PB920201	ACCUMULATOR	1	EA	
3	F2096504	TUBE-DRIER EXT	1	EA	
4	F2097740	TUBE PROCESS	1	EA	
5	PM010616	DRIER - HIGH SIDE	1	EA	
6	F2096507	TUBE-PROCESS GRN	1	EA	
7	G5097976	Compressor Assembly (Includes Drier)	1	EA	
8	F2099443	TUBE DISCHARGE FORMED PRE ACCUM	1	EA	
9	PB920155	HEAT EXCHANGER ASM SXS 48	1	EA	
10	PM910206	EVAPORATOR SXS 48	1	EA	

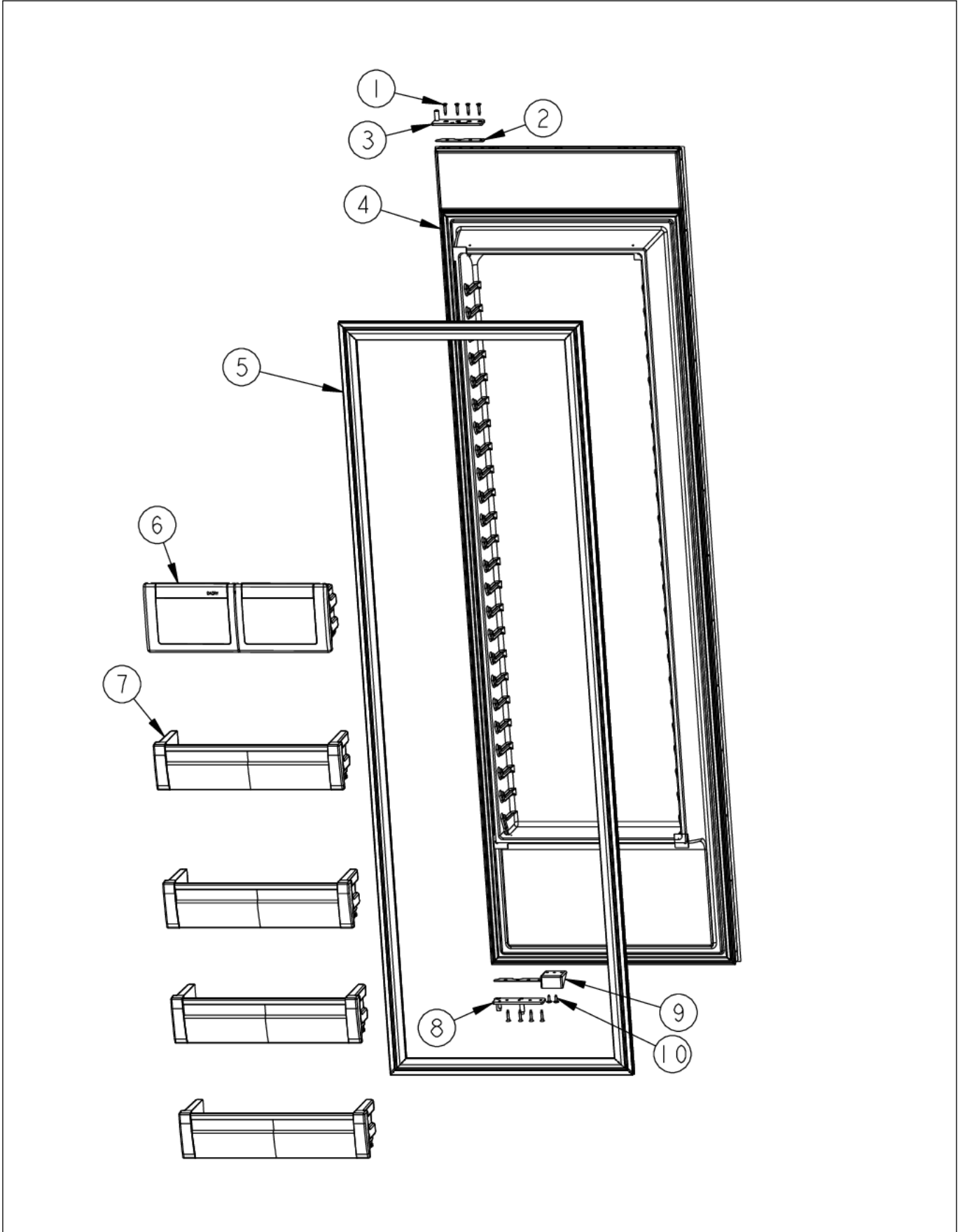
REFRIGERATOR COMPARTMENT





Item	Part No.	Name	Qty	Uom	NOTES
1	PE950125	LIGHT SOCKET	1	EA	
2	004528-000	LAMP, 40 WATT CLEAR LIGHT	1	EA	
3	L2099492	BRACKET LIGHT SXS 48 FF	1	EA	
4	020114-000	COVER LIGHT ASM AF/AR 30 SXS 48 FF	1	EA	
5	PD020188	SCR 8-18 BT HXWS 1 1/2	1	EA	
6	K2096475	FAN MOUNTING PLATE	1	EA	
7	M0288120	NUT-SPEED VM0288120	1	EA	
8	004551-000	AXIAL FAN	1	EA	
<p>Comments for Part Num. 004551-000</p> <p>gboltz@VikingRange.com on Jul 21, 2016</p> <p>View service bulletin TR-0052-SP before ordering fan, if applicable order kit instead of fan</p>					
9	C8983701	THERMISTOR	1	EA	
10	M0221913	SCREW-SM	1	EA	
11	PK930085	COVER FAN SXS 48 FF	1	EA	
12	PK920024	LADDER FF R	1	EA	
13	PK020080	LADDER FF L SXS 42/48	1	EA	Not available online / Call for pricing and availability
14	M0238535	SCREW-SM	1	EA	
15	B5733302	CLIP-GROUND	1	EA	
16	10270203	HOUSING-LIGHT V10270203	1	EA	
17	M0580007	GROMMET-SCREW	1	EA	
18	PD020194	SCR, HEX SRTD WSHR HD, #8-18 X 1/2	1	EA	
19	PK930346	COVER LIGHT	1	EA	
NI	019244-000	ACCESSORY, ASM	1	EA	
NI	013112-000	NOISE REDUCTION FAN KIT	1	EA	

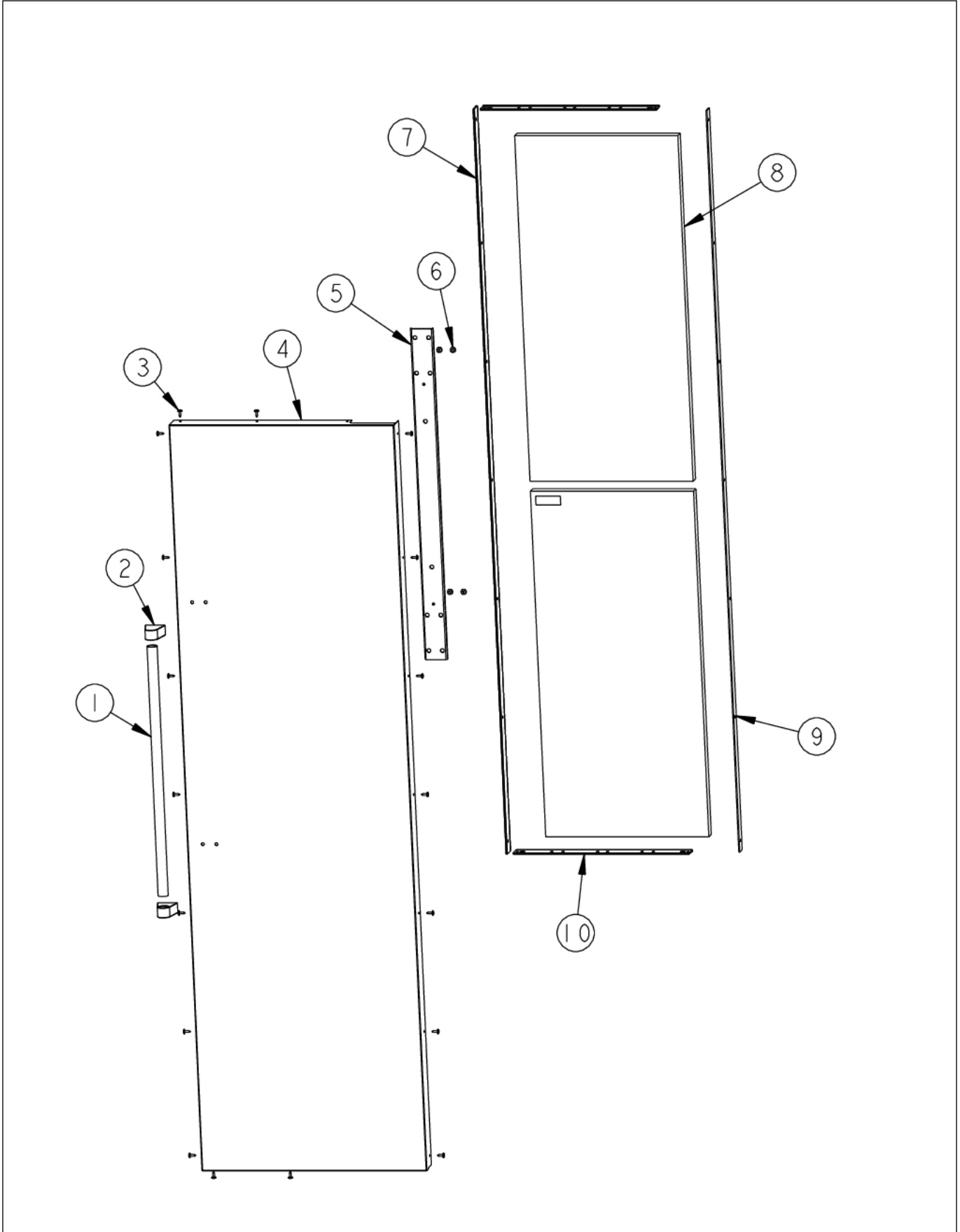
REFRIGERATOR DOOR FOAM AREA





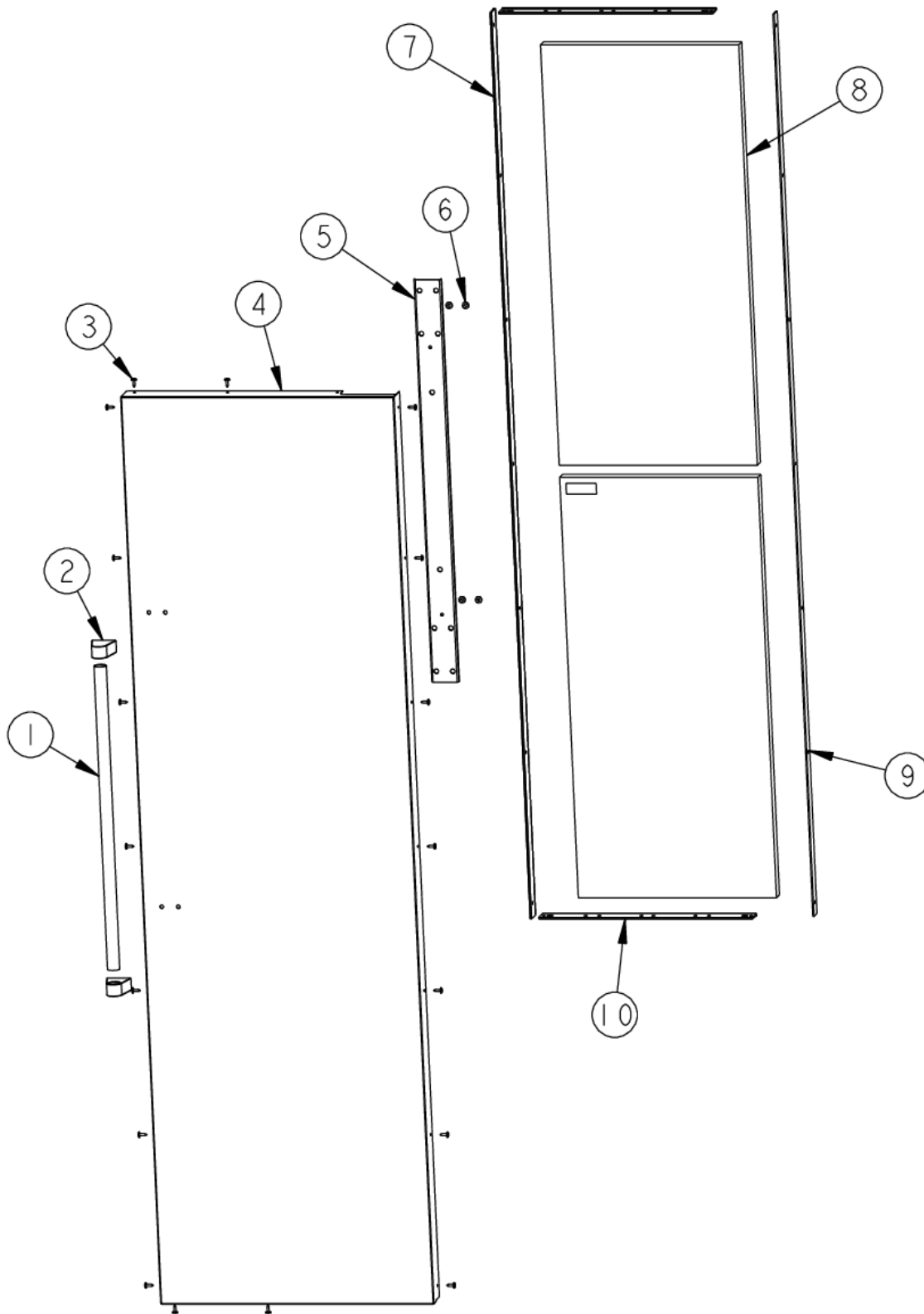
Item	Part No.	Name	Qty	Uom	NOTES
1	PD920174	10-32 TORX HEAD SCREW	1	EA	
2	PD040162	SPACER-DOOR HINGE	1	EA	
3	PC020278	PIVOT PL ASM RH UP PRO/DES	1	EA	
4	G32915040	DOOR ASM 48/48D FF	1	EA	
Not Shown	NOTE	(Includes Gasket)		EA	
5	001954-000	SERV. GASKET FACE CHARGE	1	EA	
Not Shown	NOTE	(BEFORE 06-10-08)		EA	
5	005454-000	GASKET,ASM,48,SXS,FF VID# 602711907-17	1	EA	
Not Shown	NOTE	(ON OR AFTER 06-10-08)		EA	
6	V12203602	DAIRY MODULE ASSY #	1	EA	
7	036886-000	DOORBIN ASM SXS 48 FF	1	EA	
8	016181-000	PIVOT PL ASM RH LW PRO/DES	1	EA	
9	PD050019	STRIKER DOOR SWITCH	1	EA	
10	M0210458	SCREW-SM	1	EA	

REFRIGERATOR DOOR SKIN AREA



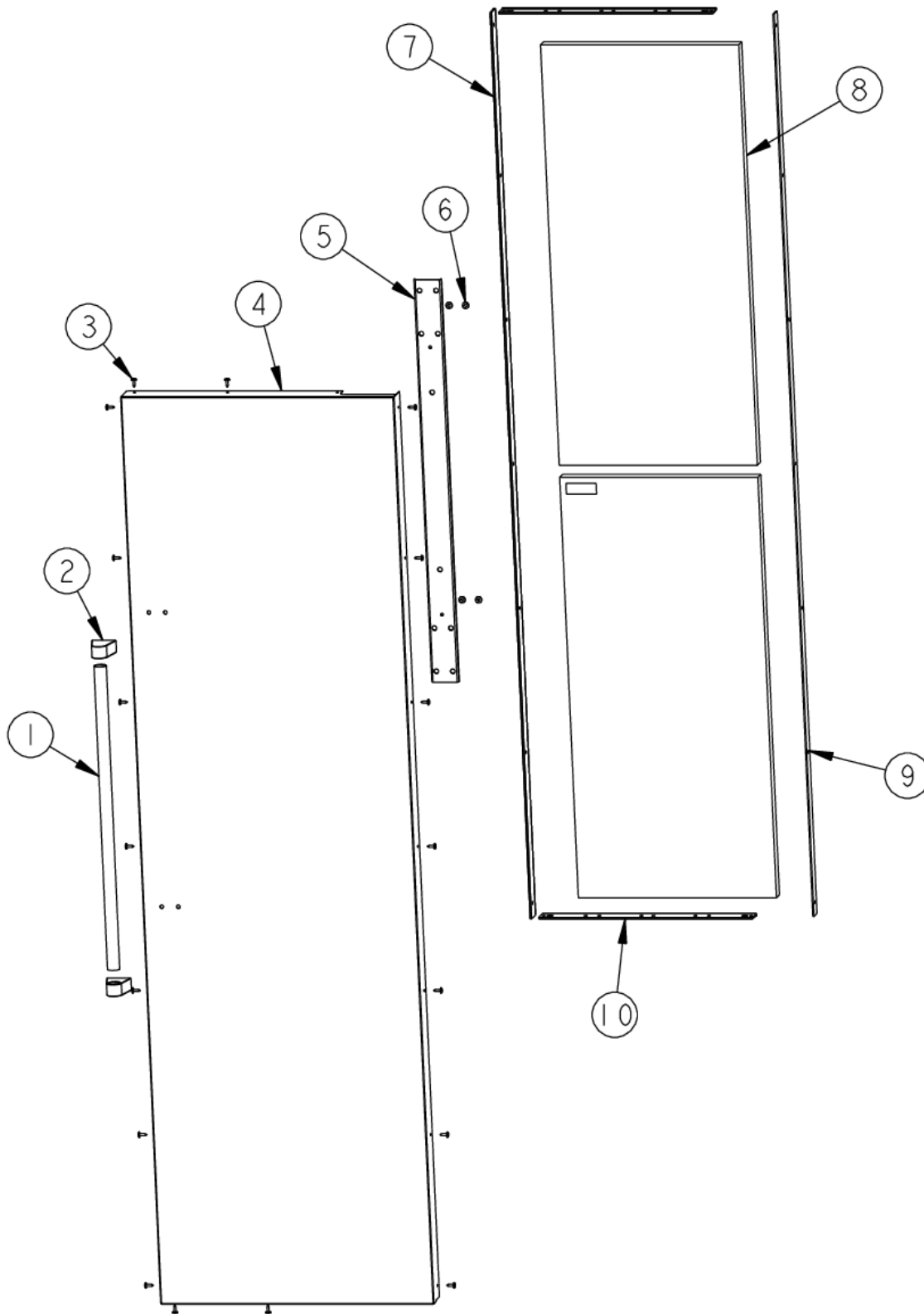


Item	Part No.	Name	Qty	Uom	NOTES
1	PE930101	VCSB482 HANDLE -(12466403)	1	EA	
Not Shown	PE030012PVD	DOOR HANDLE - RH - (30"/48") PVD	1	EA	
2	000268-000	HANDLE ENDCAP	1	EA	
Not Shown	PE030001PVD	END CAP DOOR HANDLE *BR	1	EA	
3	M0210458	SCREW-SM	1	EA	
4	B20916350	SKIN DOOR SXS 48 FF PROI	1	EA	
Not Shown	002601-006	SKIN, DOOR, SXS 48 FZ PROI WH	1	EA	NO LONGER AVAILABLE, Not available online / Call for pricing and availability
Not Shown	002601-007	SKIN, DOOR, SXS 48 FZ PROI AL	1	EA	NO LONGER AVAILABLE, Not available online / Call for pricing and availability
Not Shown	NOTE	(Before 01/01/08)		EA	
Not Shown	002601-003	SKIN, DOOR, SXS 48 FZ PROI BT	1	EA	NO LONGER AVAILABLE, Not available online / Call for pricing and availability
Not Shown	NOTE	(Before 01/01/08)		EA	
Not Shown	002601-014	SKIN, DOOR, SXS 48 FZ PROI EP	1	EA	NO LONGER AVAILABLE, Not available online / Call for pricing and availability
Not Shown	NOTE	(Before 01/01/08)		EA	
Not Shown	002601-011	SKIN, DOOR, SXS 48 FZ PROI FG	1	EA	NO LONGER AVAILABLE, Not available online / Call for pricing and availability
Not Shown	NOTE	(Before 01/01/08)		EA	
Not Shown	002601-002	SKIN, DOOR, SXS 48 FZ PROI BK	1	EA	NO LONGER AVAILABLE
Not Shown	002601-008	SKIN, DOOR, SXS 48 FZ PROI BU	1	EA	NO LONGER AVAILABLE, Not available online / Call for pricing and availability





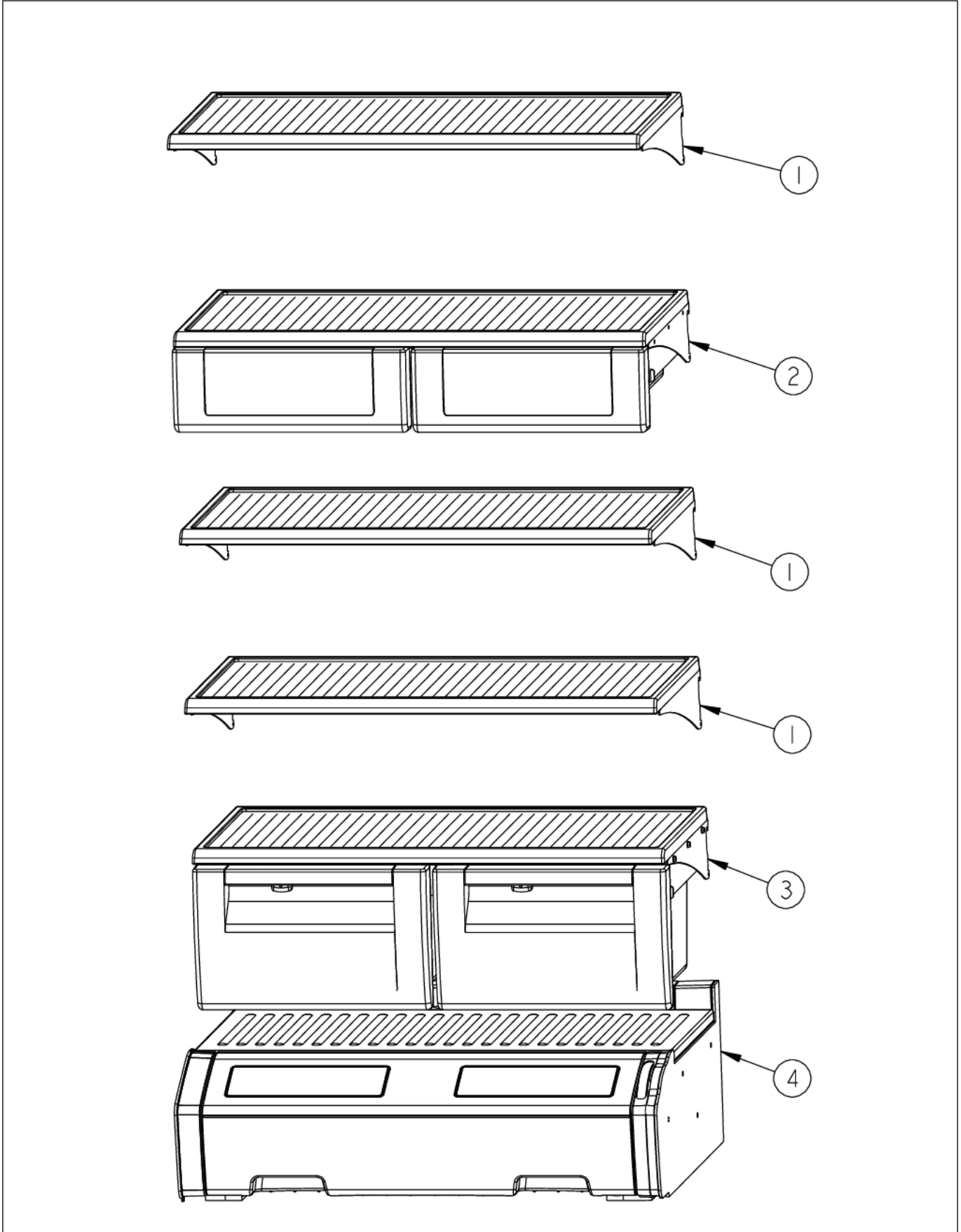
Item	Part No.	Name	Qty	Uom	NOTES
Not Shown	002601-013	SKIN, DOOR, SXS 48 FZ PROI CB	1	EA	NO LONGER AVAILABLE, Not available online / Call for pricing and availability
Not Shown	002601-005	SKIN, DOOR, SXS 48 FZ PROI GG	1	EA	NO LONGER AVAILABLE, Not available online / Call for pricing and availability
Not Shown	002601-009	SKIN, DOOR, SXS 48 FZ PROI LE	1	EA	NO LONGER AVAILABLE, Not available online / Call for pricing and availability
Not Shown	002601--010	DOOR SKIN - (MJ)	1	EA	Not available online / Call for pricing and availability
Not Shown	002601-004	SKIN, DOOR, SXS 48 FZ PROI SG	1	EA	NO LONGER AVAILABLE, Not available online / Call for pricing and availability
Not Shown	002601-012	SKIN, DOOR, SXS 48 FZ PROI VB	1	EA	NO LONGER AVAILABLE, Not available online / Call for pricing and availability
Not Shown	002601-024	SKIN,DOOR,SXS 48 FZ PROI AR	1	EA	
Not Shown	NOTE	(After 01/01/08)		EA	
Not Shown	002601-016	SKIN,DOOR,SXS 48 FZ PROI CH	1	EA	
Not Shown	NOTE	(After 01/01/08)		EA	
Not Shown	002601-018	SKIN,DOOR,SXS 48 FZ PROI CW - NLA	1	EA	
Not Shown	NOTE	(After 01/01/08)		EA	
Not Shown	002601-020	SKIN,DOOR,SXS 48 FZ PROI GM	1	EA	
Not Shown	NOTE	(After 01/01/08)		EA	
Not Shown	002601-023	SKIN,DOOR,SXS 48 FZ PROI IB	1	EA	
Not Shown	NOTE	(After 01/01/08)		EA	





Item	Part No.	Name	Qty	Uom	NOTES
Not Shown	002601-027	SKIN,DOOR,SXS 48 FZ PROI MS	1	EA	
Not Shown	NOTE	(After 01/01/08)		EA	
Not Shown	002601-019	SKIN,DOOR,SXS 48 FZ PROI OG	1	EA	
Not Shown	NOTE	(After 01/01/08)		EA	
Not Shown	002601-015	SKIN, DOOR, SXS 48 FZ PROI PL	1	EA	
Not Shown	NOTE	(After 01/01/08)		EA	
Not Shown	002601-026	SKIN,DOOR,SXS 48 FZ PROI PM	1	EA	
Not Shown	NOTE	(After 01/01/08)		EA	
Not Shown	002601-025	SKIN,DOOR,SXS 48 FZ PROI RR	1	EA	
Not Shown	NOTE	(After 01/01/08)		EA	
Not Shown	002601-021	SKIN,DOOR,SXS 48 FZ PROI SA	1	EA	
Not Shown	NOTE	(After 01/01/08)		EA	
Not Shown	002601-022	SKIN,DOOR,SXS 48 FZ PROI SE	1	EA	
Not Shown	NOTE	(After 01/01/08)		EA	
Not Shown	002601-017	SKIN,DOOR,SXS 48 FZ PROI TP	1	EA	
Not Shown	NOTE	(After 01/01/08)		EA	
5	K2097526	Bracket, Handle Support (Frz.)	1	EA	
6	M0204303	SCREW-MACH	1	EA	
7	PE940176	Door Trim - Side	1	EA	
8	PM910068	FOAM, DOOR SKIN (SXS)	1	EA	
9	014581-000	SPACER,TRIM,SXS,AF,AR	1	EA	
10	056841-000	TRIM, FF, TOP/BTM, 48	1	EA	

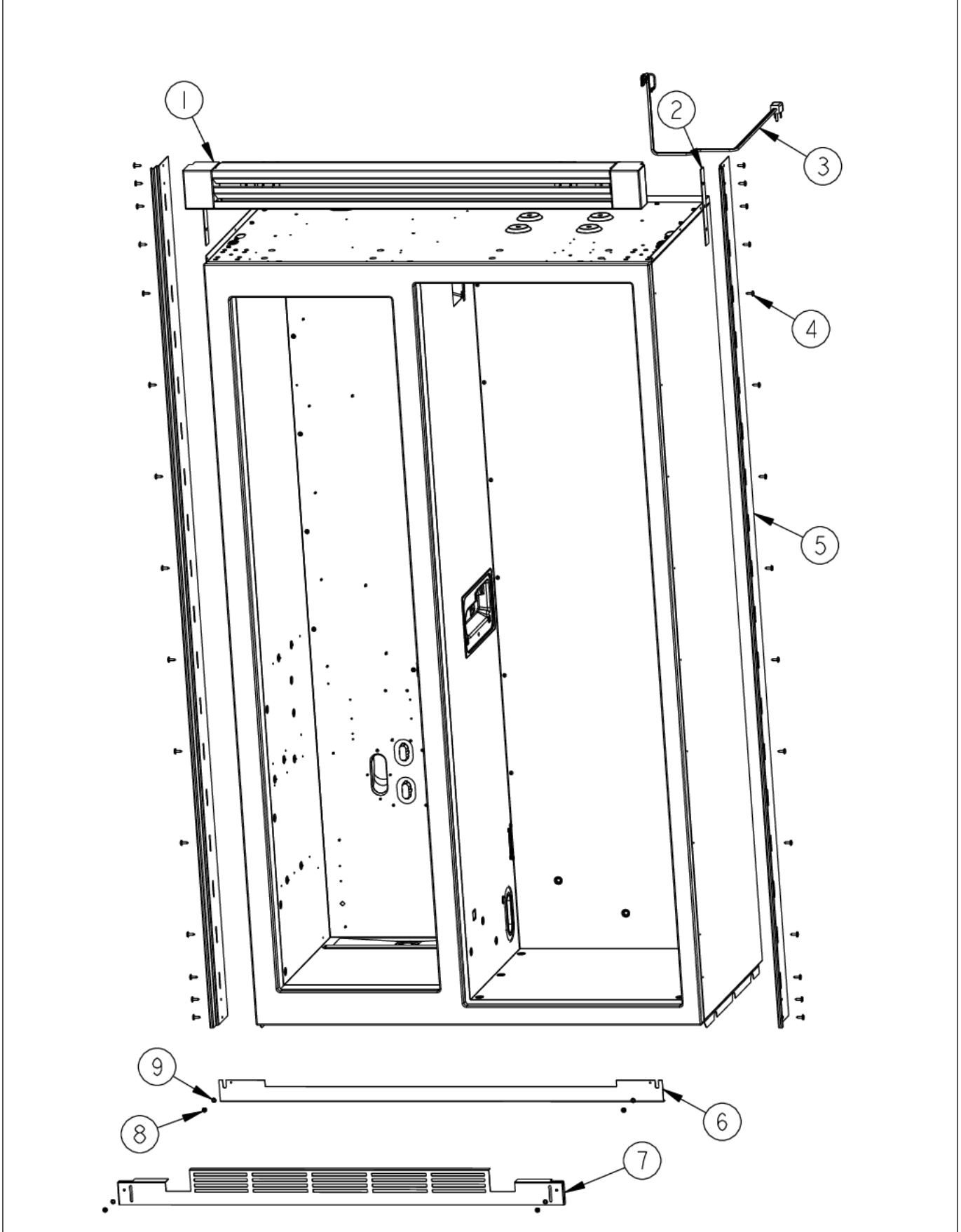
REFRIGERATOR SHELVING





Item	Part No.	Name	Qty	Uom	NOTES
1	043624-000	SHELF ASM GLASS 30 AR 48 FF	1	EA	
2	DELI DRAWER	SEE PAGE 002 FOR BREAKDOWN	1	EA	
3	Produce Drawer	SEE PAGE 003 FOR BREAKDOWN	1	EA	Not available online / Call for pricing and availability
4	CONV. MEAT SAVER DRAWER	SEE PAGE 004 FOR BREAKDOWN	1	EA	

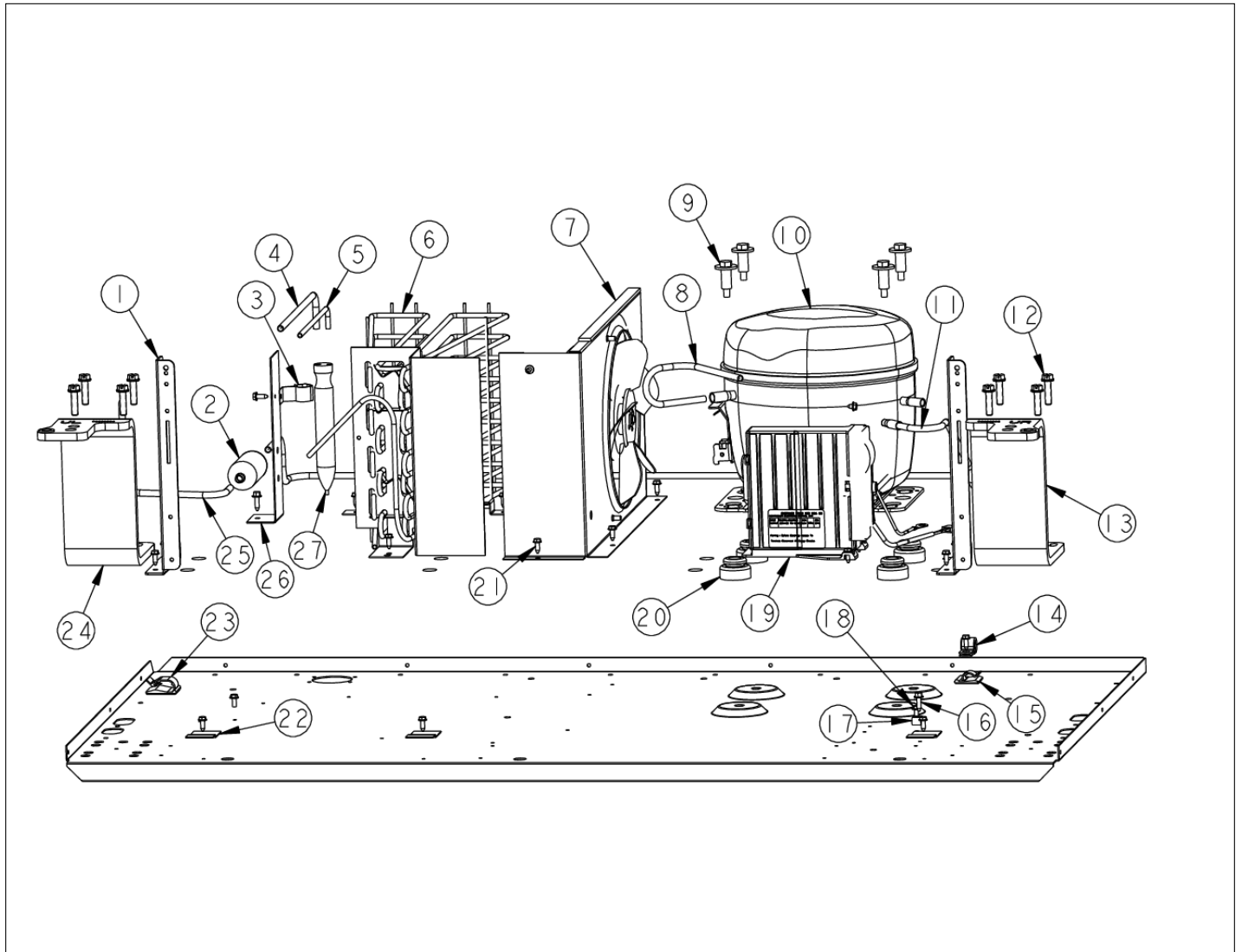
UNIT EXTERIOR





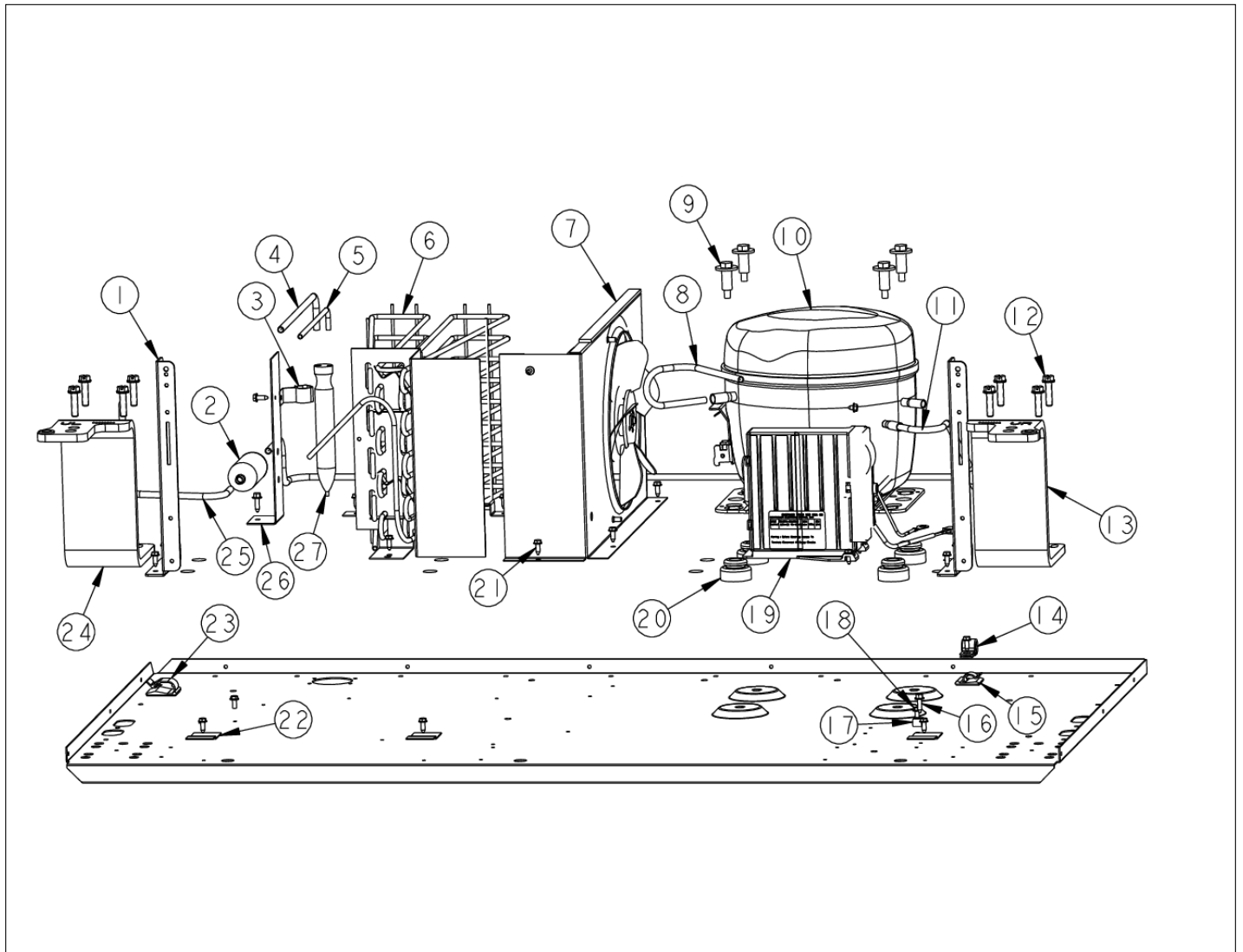
Item	Part No.	Name	Qty	Uom	NOTES
1	G32916307	GRILLE ASM SXS 48 PROI	1	EA	
Not Shown	NOTE	For breakdown see page 016		EA	
2	12135402	SHIM-CAB TRIM	1	EA	
3	10916507	CORD-POWER 5 SERIES	1	EA	
4	M0215318	SCREW-SM	1	EA	
5	PK920066	TRIM, EXTRU, SIDE DES	1	EA	
6	000152-002	KICKPLATE, LWR	1	EA	
7	C90910004BK	GRILLE TOE VENTED	1	EA	
8	M0210443	SCREW-E SM VM0210443	1	EA	
9	40370P01	NYLON FLAT WASHER V40370P01	1	EA	

UPPER UNIT AREA





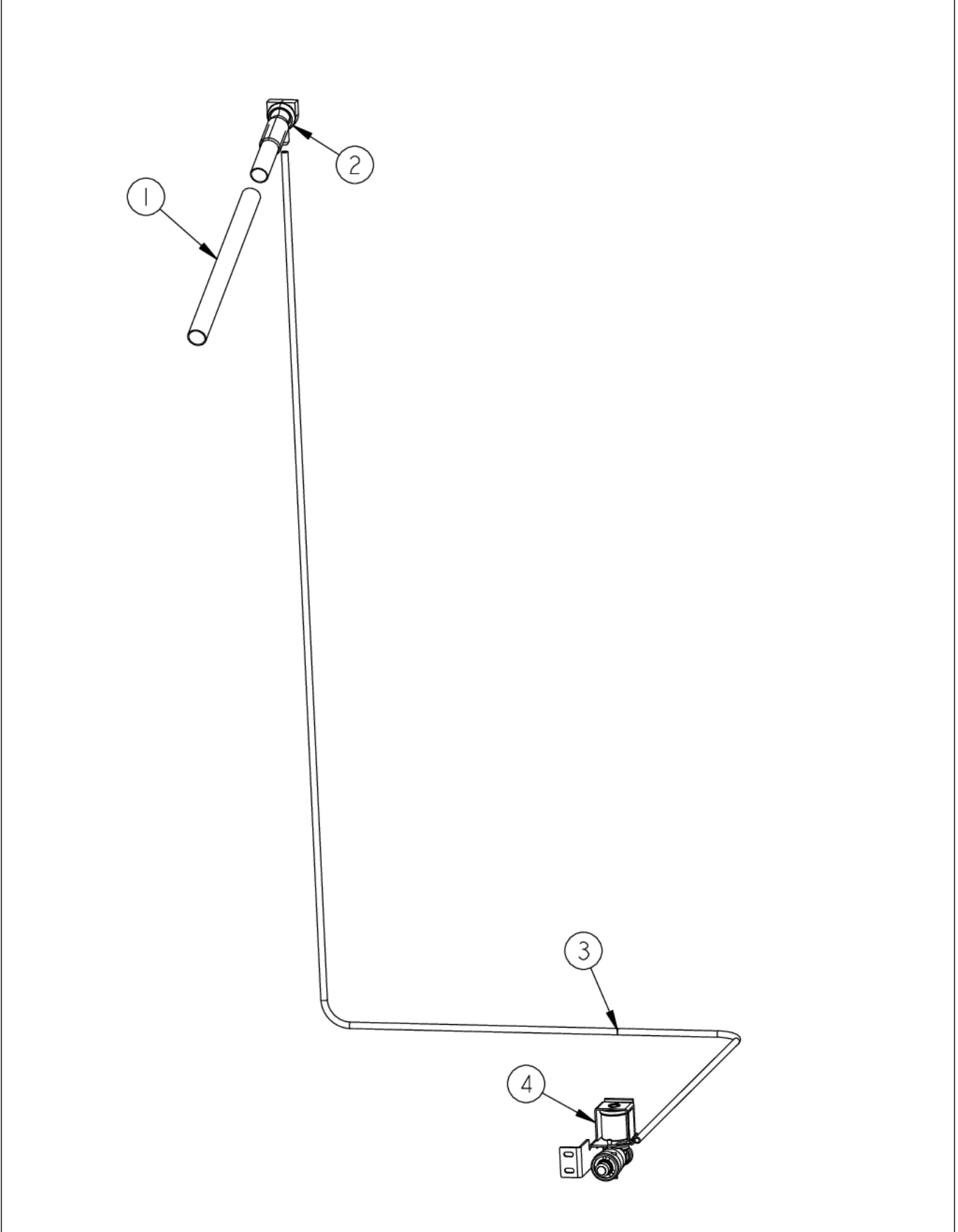
Item	Part No.	Name	Qty	Uom	NOTES
1	K20912569	BRACKET GRILLE SUPPORT	1	EA	
2	PB920201	ACCUMULATOR	1	EA	
3	10547001	CLIP-DRIER V10547001	1	EA	
4	F2097740	TUBE PROCESS	1	EA	
5	F2096504	TUBE-DRIER EXT	1	EA	
6	PB920171	CONDENSER ASM	1	EA	
7	G5096494	COND. FAN ASSY	1	EA	
8	F2096507	TUBE-PROCESS GRN	1	EA	
9	M0221523	SCREW - SHLDR	1	EA	
10	G5097976	Compressor Assembly (Includes Drier)	1	EA	
11	F2099443	TUBE DISCHARGE FORMED PRE ACCUM	1	EA	
12	000570-000	FASTENER, BOLT, 1/4-20 IHXWS 1" S ZN SER	1	EA	
13	PC920203	HINGE ASM UR	1	EA	
14	PD030118	INSULATED CLAMP	1	EA	
15	M0104106	CLIP-CORD VM0104106	1	EA	
16	PD020195	SCR 8-18 X 5/8	1	EA	
17	M0103904	CLAMP-SPEED	1	EA	NO LONGER AVAILABLE, Not available online / Call for pricing and availability
18	PD020010	10 X 3/8 GREEN GROUNDING SCREW	1	EA	
19	011666-000	INVERTER, CMPR, ASM	1	EA	
Comments for Part Num. 011666-000					
gboltz@VikingRange.com on Aug 9, 2018					
See 2018-01P Parts Bulletin					
20	10835901	GROMMET RUBBER V10835901	1	EA	
21	PD020194	SCR, HEX SRTD WSHR HD, #8-18 X 1/2	1	EA	
22	K2096943	PANEL BRACKET	1	EA	
23	M0104102	CLIP-CORD RED	1	EA	
24	PC920204	HINGE ASM UL	1	EA	





Item	Part No.	Name	Qty	Uom	NOTES
25	F2099444	TUBE DISCHARGE FORMED POST ACCUM	1	EA	
26	K2099454	BRACKET DRIER	1	EA	
27	PM010616	DRIER - HIGH SIDE	1	EA	

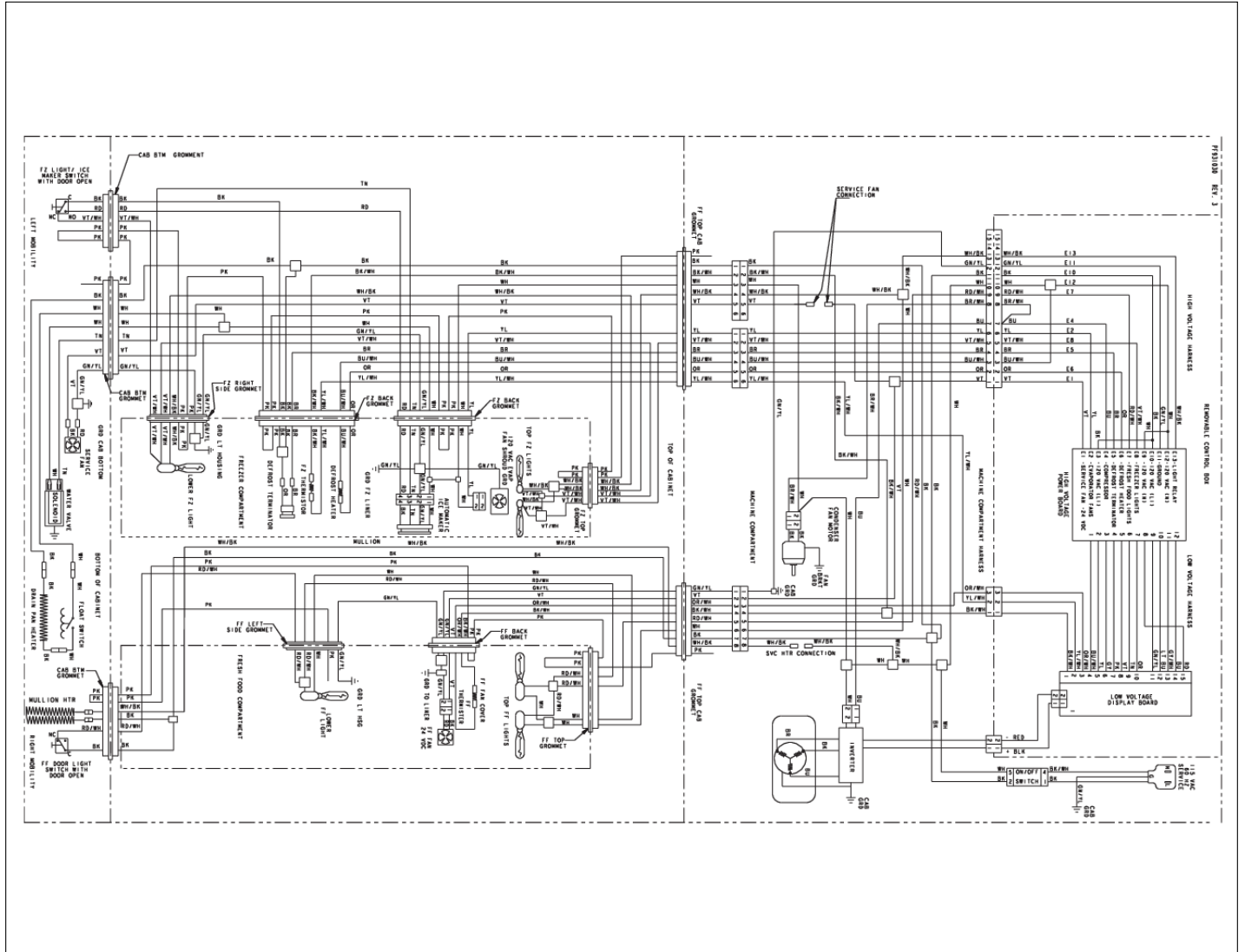
WATER SYSTEM





Item	Part No.	Name	Qty	Uom	NOTES
1	A3127415	EXT-FILL TUBE	1	EA	
2	G5096419	FILL TUBE ASSY	1	EA	
Comments for Part Num. G5096419					
bradleysapplianceservice@shaw.ca on May 11, 2018					
This part G5096419 does NOT come with the aluminum tube.					
If aluminum tube is required, order 005899-000 and cut to size.					
3	PB020304	PLASTIC TUBING-IM WATERLINE	1	EA	
4	PA970012	SINGLE WATER VALVE	1	EA	

WIRING DIAGRAM





Appendix A:Pages Index

10916507 POWER CORD 1
CONTROL AREA 2
CONVERTIBLE MEAT SAVER 3
DELI DRAWER 4
EVAPORATOR AREA 5
FREEZER COMPARTMENT 6
FREEZER DOOR FOAM AREA 7
FREEZER DOOR SKIN AREA 8
FREEZER SHELVING 9
ICE MAKER AREA 10
LOWER UNIT AREA 11
MC COVER AND GRILLE AREA 12
PE070785 HIGH VOLT HARNESS 13
PE970464 LOW VOLT HARNESS 14
PE970595 MACHINE HARNESS 15
PE970609 CONTROL BOARD HARNESS 16
PRODUCE DRAWER 17
REFRIGERANT SYSTEM 18
REFRIGERATOR COMPARTMENT 19
REFRIGERATOR DOOR FOAM AREA 20
REFRIGERATOR DOOR SKIN AREA 21
REFRIGERATOR SHELVING 22
UNIT EXTERIOR 23
UPPER UNIT AREA 24
WATER SYSTEM 25
WIRING DIAGRAM 26



Appendix B: Parts Index

000152-002	23	002601-007	21
000268-000	8, 21	002601-008	21
000570-000	11, 24	002601-009	21
000586-000	11	002601-011	21
000656-000	8	002601-012	21
000992-000	8	002601-013	21
001943-000	7	002601-014	21
001954-000	20	002601-015	21
002017--010	8	002601-016	21
002017-002	8	002601-017	21
002017-003	8	002601-018	21
002017-004	8	002601-019	21
002017-005	8	002601-020	21
002017-006	8	002601-021	21
002017-007	8	002601-022	21
002017-008	8	002601-023	21
002017-009	8	002601-024	21
002017-011	8	002601-025	21
002017-012	8	002601-026	21
002017-013	8	002601-027	21
002017-014	8	002667-000	11
002017-015	8	002668-000	11
002017-016	8	004528-000	6, 19
002017-017	8	004551-000	6, 11, 19
002017-018	8	005319-000	2
002017-019	8	005454-000	20
002017-020	8	005455-000	7
002017-021	8	009925-000	17
002017-022	8	011666-000	24
002017-023	8	013112-000	19
002017-024	8	014581-000	8, 21
002017-025	8	016181-000	20
002017-026	8	016182-000	7
002017-027	8	016593-000	2
002601--010	21	019244-000	19
002601-002	21	020114-000	19
002601-003	21	020117-000	6
002601-004	21	036886-000	20
002601-005	21	036888-000	7
002601-006	21	043156-000	10
		043624-000	4, 17, 22



VISB483JMAGR SERIES

044214-000	4, 17	B5733302	6, 19
044219-000	4, 17	C8983701	6, 19
044232-000	3	C90910004BK	23
044370-000	11	C9097183WH	10
044384-000	3	F20915693	11
045692-000	3	F2096504	18, 24
046235-000	4, 17	F2096507	18, 24
046255-000	4, 17	F2097740	18, 24
056841-000	21	F2099443	18, 24
056842-000	8	F2099444	18, 24
058966-000	5	G32915038	7
060890-000	11	G32915040	20
060891-000	11	G32916307	23
10270203	6, 19	G50911853	11
10428101	5	G5096419	10, 25
10527401	5	G5096494	24
10547001	24	G5097976	18, 24
10623003	5	G5098660	5
10629001	5	K20910007	12
10835901	24	K20910008	12
10916507	1, 23	K20910060	2
12064001	2	K20910061	2
12064701	9, 10	K20911831	11
12135402	23	K20912569	24
12231701	6	K20913788	11
12258501	10	K20915000	2
40370P01	23	K20915675	12
A3030303	5	K20915904	12
A3030361	2, 5	K20915952	11
A3127415	10, 25	K20916342	12
A3189370	5	K2096456	5
A4554806	11, 12	K2096457	5
A4554817	2, 11	K2096458	5
B20915627	11	K2096461	5
B20916321	12	K2096475	6, 19
B20916322	12	K2096943	24
B20916323	12	K2097526	8, 21
B20916337	12	K2098044	11
B20916338	12	K2098096	11
B20916350	21	K2098654	2
B2096961	12	K2099402	2



VISB483JMAGR SERIES

K2099454	24	PC020278	20
K2099455	12	PC020279	7
K2099459	12	PC020288	11
K2099460	12	PC020289	11
L2097181	6	PC040010	2, 2, 12
L2097182	6	PC910015	11
L2099475	6	PC920144	11
L2099492	19	PC920145	11
M0103904	24	PC920149	11
M0104102	24	PC920166	11
M0104106	2, 11, 24	PC920203	24
M0204303	8, 21	PC920204	24
M0210443	23	PD020010	11, 24
M0210458	7, 8, 20, 21	PD020013	2
M0211014	6	PD020032	4, 17
M0211021	3, 10	PD020188	6, 11, 19
M0215318	23	PD020194	2, 5, 6, 9, 10, 11, 12, 19, 24
M0220417	11, 11, 12	PD020195	3, 24
M0221523	11, 24	PD020233	12
M0221913	6, 19	PD020234	11
M0223509	12	PD030006	8
M0224128	2, 3	PD030118	24
M0238535	6, 19	PD030146	11
M0238846	2	PD040157	12
M0238859	5	PD040162	7, 20
M0253916	11	PD050019	7, 20
M0270510	12	PD920161	4, 17
M0288120	2, 6, 19	PD920162	3
M0580007	6, 19	PD920174	7, 20
M0581001	6	PD940090	11
M0585504	2	PD940091	11
M0585506	2	PD940094	11
PA970012	11, 25	PD940107	11
PB020304	11, 25	PE010030	8
PB070355	12	PE010031	8
PB070361	12	PE010068	8
PB070362	12	PE010076	8
PB920155	18	PE030001PVD	8, 21
PB920171	24	PE030012PVD	8, 21
PB920201	18, 24	PE050248	11
PB970171	12	PE070728	2



VISB483JMAGR SERIES

PE070785	13	PM910068	21
PE930101	8, 21	PM910190	9
PE940176	8, 21	PM910206	5, 18
PE950125	6, 19	PM910287	3
PE950146	11	PM910288	3
PE950147	11	PM910325	2
PE950149	2	PM910334	3
PE950172	2	PM910342	4, 17
PE970464	14	PM910343	4, 17
PE970595	15	PM910411	9
PE970609	16	Produce Drawer	22
PF930487	2	V12203602	20
PF930672	2	V12304301	6
PJ910031	5		
PK020080	19		
PK030435	3		
PK030439	4, 17		
PK050004	12		
PK910089	12		
PK920024	19		
PK920066	23		
PK930073	6		
PK930074	9, 10		
PK930075	9, 10		
PK930076	10		
PK930079	10		
PK930085	19		
PK930086	6		
PK930150	6		
PK930172	3		
PK930173	3		
PK930174	3		
PK930175	3		
PK930176	3		
PK930305	4		
PK930308	3		
PK930309	3		
PK930327	3		
PK930346	6, 19		
PK930348	11		
PM010616	18, 24		